

USB A to Lightning Cable

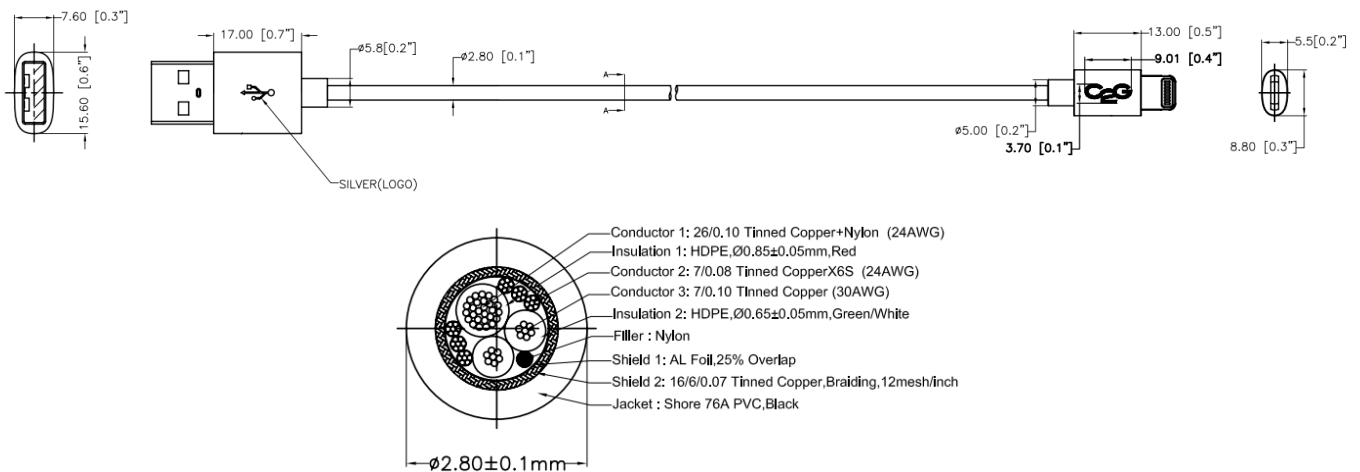
- Sync and charging cable
- MFI Certified
- Compatible with iPad 4th Generation+, iPad Mini, iPhone 5+, iPod Touch 5th Generation+
- Lifetime Warranty

Electrical Characteristics:

Nominal Impedance with Tolerance:	100Ω
Nominal Capacitance:	95.2 pF/m
Insulation Resistance:	10MΩ

Physical Characteristics:

Conductor1:	26/0.10 Tinned Copper+Nylon (24AWG)
Insulation:	HDPE, $\varnothing 0.85 \pm 0.05$ mm; Red
Conductor2:	7/0.08 Tinned Copper x6S (24AWG)
Conductor3:	7/0.10 Tinned Copper (30AWG)
Insulation:	HDPE, $\varnothing 0.65 \pm 0.05$ mm, Green/White
Shield 1:	AL Foil, 25% Overlap
Shield 2:	16/6/0.07 Tinned Copper, Braiding, 8 meshes/inch Coverage: 81%
Jacket:	Shore 76A PVC
OD:	$\varnothing 2.80 \pm 0.1$ mm



Part Number	Description	Weight (Kg)
86050	1m USB A Male to Lightning Male Sync and Charging Cable—Black	0.032
86051	1m USB A Male to Lightning Male Sync and Charging Cable—White	0.032



Cables To Go
 Road 30 Hortonwood Industrial Estate
 Telford, Shropshire TF1 7AB UK
 UK Phone (0)800 328 2916
 EMEA Phone +44 (0)1952 677300
www.c2g.com

Follow Us

