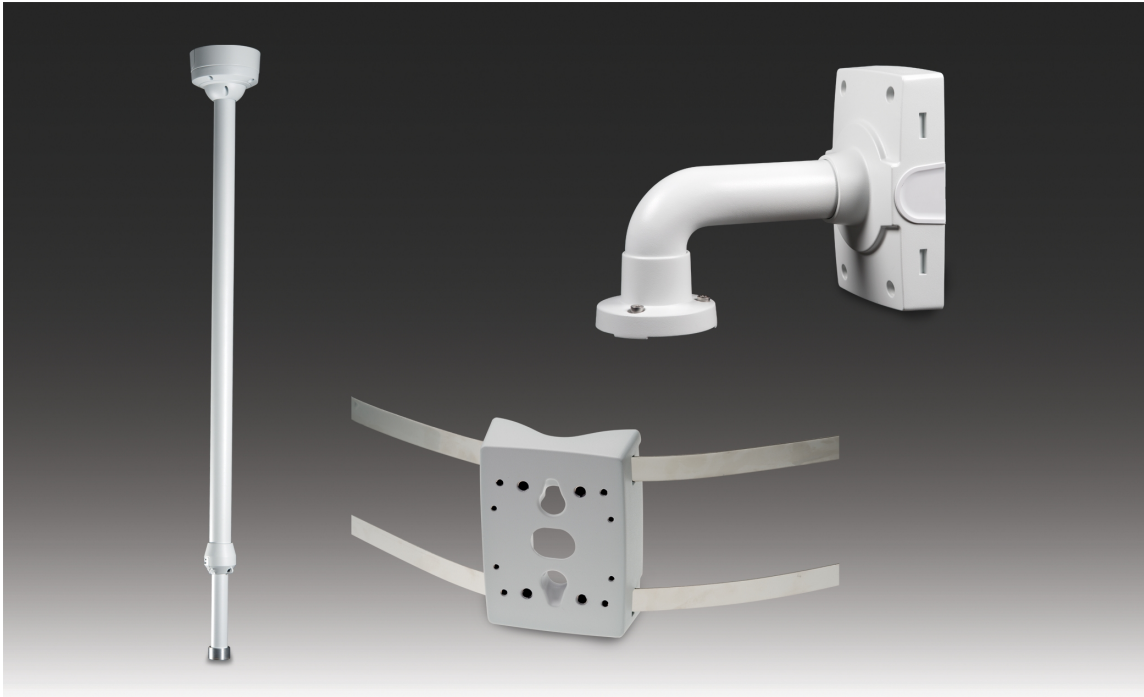


## Axis Mounts

Mounting accessories for various locations and positions.



- > Robust and safe installation
- > Indoor and outdoor models
- > Support for Axis network cameras
- > Ease of installation

A new range of mounting accessories for installing Axis cameras and housings in different locations. They are designed to save installation time and costs.

The indoor, AXIS T91A50 Telescopic Ceiling Mount is ideal where the camera needs to be installed in a high ceiling. The telescopic functionality allows the installer to adjust the length in an easy and secure way. For indoor camera installations in low ceilings, AXIS T91A51 Ceiling Mount is the ideal option. These ceiling mounts are designed to swing and not break if hit by forklifts or tall vehicles. They can also be installed in sloped ceilings thanks to the ball joint which ensures that the camera is still hanging straight.

For installations round a pole, Axis offers AXIS T91A67 and AXIS T91A47 Pole Mounts. They are designed for

both indoor and outdoor use. AXIS T91A47 is specially suitable for small or large poles, up to 400 mm (15.7 in) in diameter. Additionally, it can be used for attaching cameras to beams. When AXIS T91A47 is used for a fixed dome camera, no additional accessories such as pendant kits are required, ensuring a cost efficient solution.

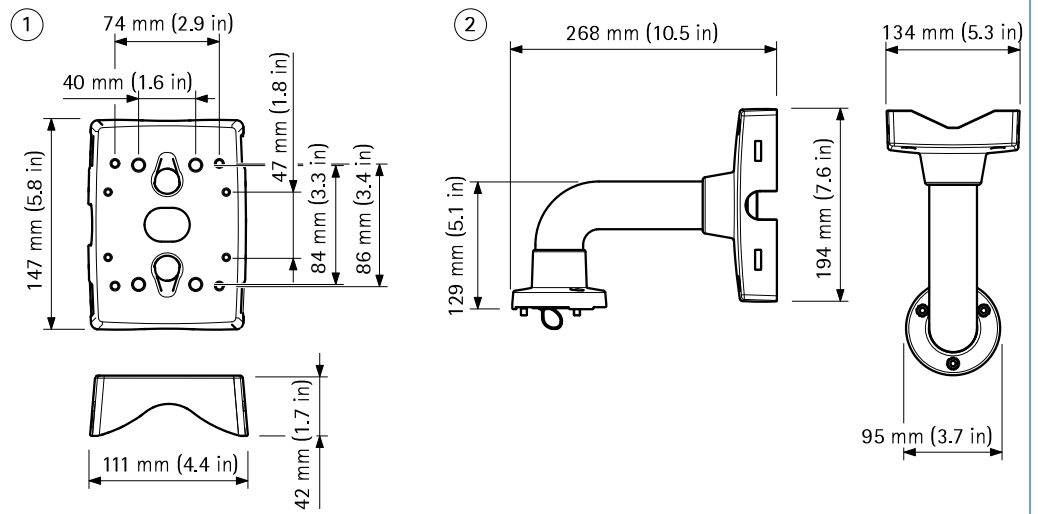
AXIS T91B Mounts and AXIS T91D61 Wall Mount are used for indoor or outdoor installations of Axis network cameras. They range from wall, parapet or ceiling installations.



# Axis Mounts

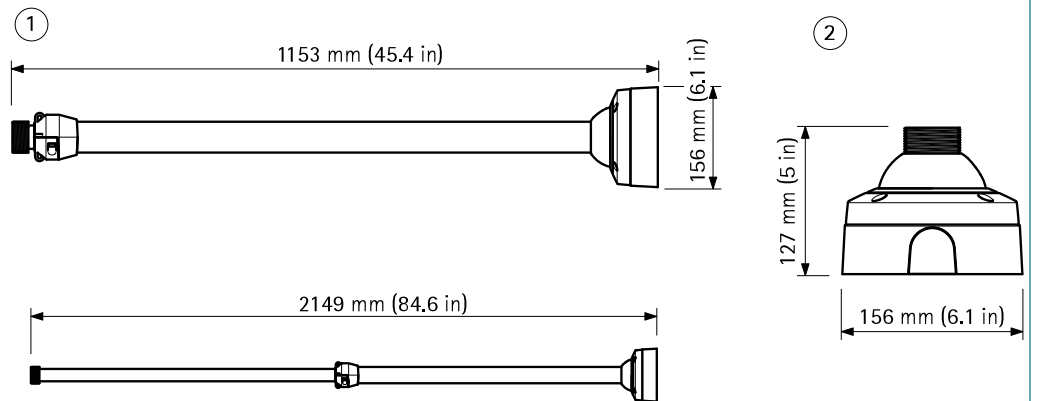
## Dimensions

1. AXIS T91A47
2. AXIS T91A67



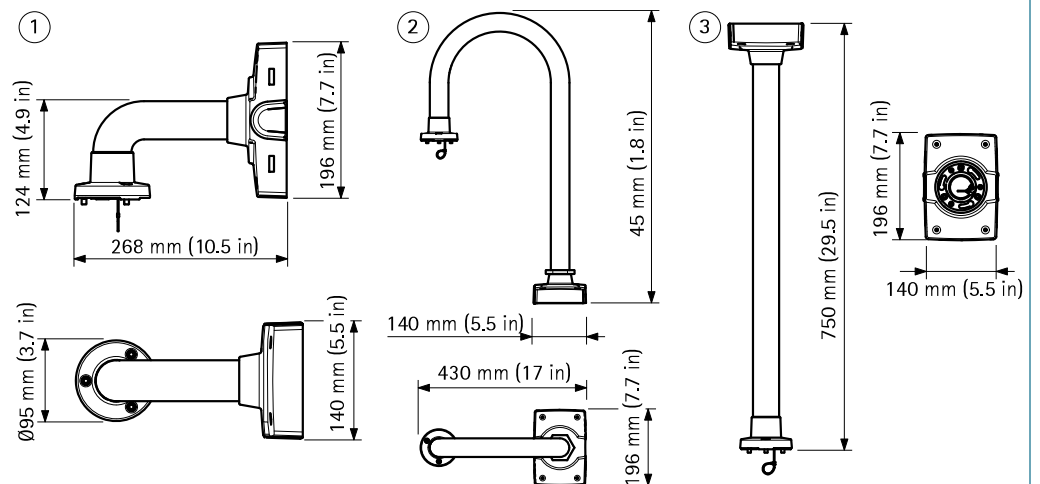
## Dimensions

1. AXIS T91A50  
(Collapsed and extended)
2. AXIS T91A51



## Dimensions

1. AXIS T91B61  
(and AXIS T91D61 without the pendant kit)
2. AXIS T91B62
3. AXIS T91B63



## Technical specifications – Axis Mounts

	AXIS T91A47 60–110 mm (2.4–4.3 in) AXIS T91A47 110–400 mm (4.3–15.7 in)	AXIS T91A67 Pole Mount
<b>Mount support/ Compatible with</b>	AXIS M1113-E/M1114-E, AXIS P13-E/Q16-E/Q17-E/Q19-E, AXIS M3006-V/M3007-P/M3007-PV/M3024-LVE/M3025-VE/M3026-VE, AXIS P33-VE, AXIS T92E Series, AXIS T93E05 and VT Wallbracket Internal Cable	AXIS P33 Series (requires AXIS P33 Pendant Kits), AXIS P55/Q60 Series
<b>Maximum load</b>	15 kg (33 lb)	15 kg (33 lb)
<b>Cable routing</b>	Back: Cable holes Side: U-shape cable hole (26 mm/1 in)	Back: Cable holes Side: U-shape cable hole (28 mm/1.1 in)
<b>Environment</b>	Indoor/Outdoor	Indoor/Outdoor
<b>Approvals</b>	IEC/EN/UL 60950-1, IEC/EN/UL 60950-22, IEC/EN 62262 IK10, EN 50581, NEMA 250 Type 4X* *Corrosion protected only	IEC/EN 60950-22
<b>Weight</b>	0.3 kg (0.7 lb) without steel straps	1.2 kg (2.7 lb)
<b>Included accessories</b>	Installation Guide, Cable ties, Screws AXIS T91A47 60–110 mm (2.4–4.3 in): Steel straps 700 mm (28 in) AXIS T91A47 110–400 mm (4.3–15.7 in): Steel straps 1450 mm (57 in)	Installation Guide, Steel straps 700 mm (28 in)
<b>Required accessories</b>	Mounting tool for pole bracket straps	Mounting tool for pole bracket straps
<b>Warranty</b>	Axis 3-year warranty, see <a href="http://www.axis.com/warranty">www.axis.com/warranty</a>	Axis 3-year warranty, see <a href="http://www.axis.com/warranty">www.axis.com/warranty</a>

	AXIS T91A50 Telescopic Ceiling Mount	AXIS T91A51 Ceiling Mount
<b>Mount support/ Compatible with</b>	AXIS P55/Q60 Series (requires AXIS T94A01D) AXIS M50 Series (requires AXIS T91A05) Axis fixed cameras (requires AXIS T91A05) AXIS P33 Series (requires AXIS P33 Pendant Kit) AXIS M32 Series, AXIS P3301/-V, AXIS P3304/-V (requires AXIS 216FD Pendant Kit) AXIS M3004-V/M3005-V (requires AXIS T94B01D) AXIS M3006-V/M3007-P/-PV/M3024-LVE/M3025-VE/M3026-VE (requires AXIS T94F01D)	AXIS P55/Q60 Series (requires AXIS T94A01D) AXIS M50 Series (requires AXIS T91A05) Axis fixed cameras (requires AXIS T91A05) AXIS P33 Series (requires AXIS P33 Pendant Kit) AXIS M32 Series, AXIS P3301/-V, AXIS P3304/-V (requires AXIS 216FD Pendant Kit) AXIS M3004-V/M3005-V (requires AXIS T94B01D) AXIS M3006-V/M3007-P/-PV/M3024-LVE/ M3025-VE/M3026-VE (requires AXIS T94F01D)
<b>Maximum load</b>	10 kg (22 lb)	10 kg (22 lb)
<b>Maximum height</b>	Ceiling mount and extension pipes: 5000 mm (197 in)	Ceiling mount and extension pipes: 5000 mm (197 in)
<b>Pivot angle</b>	±45°	±45°
<b>Cable routing</b>	Cable conduit holes	Cable conduit holes
<b>Environment</b>	Indoor	Indoor
<b>Approvals</b>	IEC/EN/UL 60950-1, IEC/EN 62262 IK10, EN 50581	IEC/EN/UL 60950-1, IEC/EN 62262 IK10, EN 50581
<b>Weight</b>	4.1 kg (9 lb)	1.2 kg (2.6 lb)
<b>Included accessories</b>	Installation Guide, AXIS T94H01P Conduit Back Box	Installation Guide, AXIS T94H01P Conduit Back Box
<b>Optional accessories</b>	AXIS T91A52 Extension Pipe 30 cm (12 in), AXIS T91A52 Extension Pipe 100 cm (40 in)	AXIS T91A52 Extension Pipe 30 cm (12 in), AXIS T91A52 Extension Pipe 100 cm (40 in)
<b>Warranty</b>	Axis 3-year warranty, see <a href="http://www.axis.com/warranty">www.axis.com/warranty</a>	Axis 3-year warranty, see <a href="http://www.axis.com/warranty">www.axis.com/warranty</a>

	AXIS T91B61 Wall Mount	AXIS T91B62 Parapet Mount	AXIS T91B63 Ceiling Mount	AXIS T91D61 Wall Mount 1.5" NPS
<b>Mount support/ Compatible with</b>	AXIS P55/Q60 Series	AXIS P55/Q60 Series AXIS M50 Series (requires AXIS T91A05) Axis fixed cameras (requires AXIS T91A05) AXIS P33 Series (requires AXIS P33 Pendant Kit) AXIS M32 Series, AXIS P3301/-V and AXIS P3304/-V (requires AXIS 216FD Pendant Kit) AXIS M3004-V/M3005-V (requires AXIS T94B01D) AXIS M3006-V/M3007-P/-PV/M3024-LVE/ M3025-VE/M3026-VE (requires AXIS T94F01D)	AXIS P55/Q60 Series AXIS M50 Series (requires AXIS T91A05) Axis fixed cameras (requires AXIS T91A05) AXIS P33 Series (requires AXIS P33 Pendant Kit) AXIS M32 Series, AXIS P3301/-V and AXIS P3304/-V (requires AXIS 216FD Pendant Kit) AXIS M3004-V/M3005-V (requires AXIS T94B01D) AXIS M3006-V/M3007-P/-PV/M3024-LVE/ M3025-VE/M3026-VE (requires AXIS T94F01D)	AXIS P55/Q60 Series (requires AXIS T94A01D) AXIS M50 Series (requires AXIS T91A05) Axis fixed cameras (requires AXIS T91A05) AXIS P33 Series (requires AXIS P33 Pendant Kit) AXIS M32 Series, AXIS P3301/-V and AXIS P3304/-V (requires AXIS 216FD Pendant Kit) AXIS M3004-V/M3005-V (requires AXIS T94B01D) AXIS M3006-V/M3007-P/-PV/M3024-LVE/ M3025-VE/M3026-VE (requires AXIS T94F01D)
<b>Maximum load</b>	15 kg (33 lb)	15 kg (33 lb)	15 kg (33 lb)	15 kg (33 lb)
<b>Cable routing</b>	Back: Cable hole Side: Cable conduit holes M20 (3/4 in)	Back: Cable hole Side: Cable conduit holes M20 (3/4 in)	Back: Cable hole Side: Cable conduit holes M20 (3/4 in)	Back: Cable hole Side: Cable conduit holes M20 (3/4 in)
<b>Environment</b>	Indoor, Outdoor	Indoor, Outdoor	Indoor, Outdoor	Indoor, Outdoor
<b>Approvals</b>	IEC/EN/UL 60950-1, IEC/EN/UL 60950-22, IEC 62262 IK10, EN 50581	IEC/EN/UL 60950-1, IEC/EN/UL 60950-22, IEC 62262 IK10, EN 50581	IEC/EN/UL 60950-1, IEC/EN/UL 60950-22, IEC 62262 IK10, EN 50581	IEC/EN/UL 60950-1, IEC/EN/UL 60950-22, IEC 62262 IK10, EN 50581
<b>Weight</b>	1.5 kg (3.2 lb)	2.9 kg (6.4 lb)	2.0 kg (4.4 lb)	1.4 kg (3.0 lb)
<b>Included accessories</b>	Installation Guide, AXIS T91A6 Pipe Seal, AXIS T94A01D Pendant kit	Installation Guide, AXIS T91A6 Pipe Seal, AXIS T94A01D Pendant kit	Installation Guide, AXIS T91A6 Pipe Seal, AXIS T94A01D Pendant kit	Installation Guide, AXIS T91A6 Pipe Seal
<b>Optional accessories</b>	Axis network cable couplers, AXIS Conduit Adapter U-shape 30mm A	Axis network cable couplers, AXIS Conduit Adapter U-shape 30mm A	Axis network cable couplers, AXIS Conduit Adapter U-shape 30mm A	Axis network cable couplers, AXIS Conduit Adapter U-shape 30mm A
<b>Warranty</b>	Axis 3-year warranty, see <a href="http://www.axis.com/warranty">www.axis.com/warranty</a>	Axis 3-year warranty, see <a href="http://www.axis.com/warranty">www.axis.com/warranty</a>	Axis 3-year warranty, see <a href="http://www.axis.com/warranty">www.axis.com/warranty</a>	Axis 3-year warranty, see <a href="http://www.axis.com/warranty">www.axis.com/warranty</a>

More information is available at [www.axis.com](http://www.axis.com)