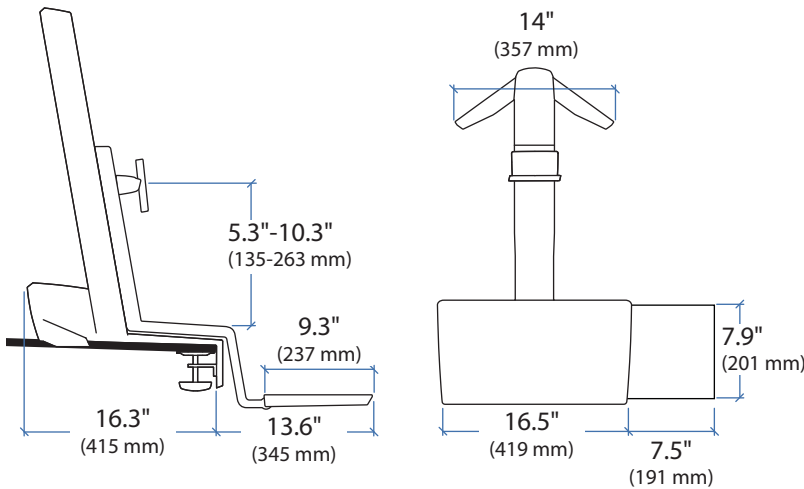
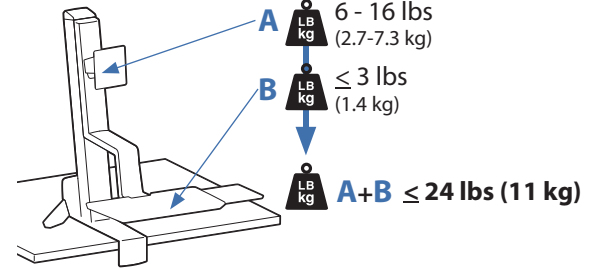


WorkFit-S, Single LCD Mount, LD

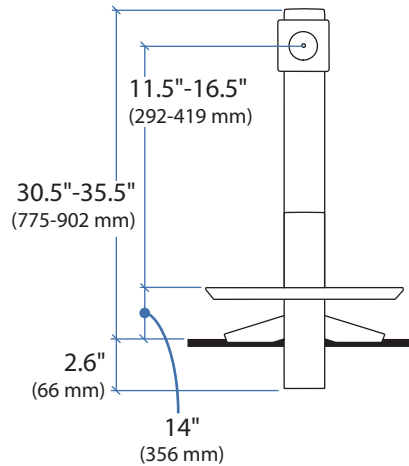
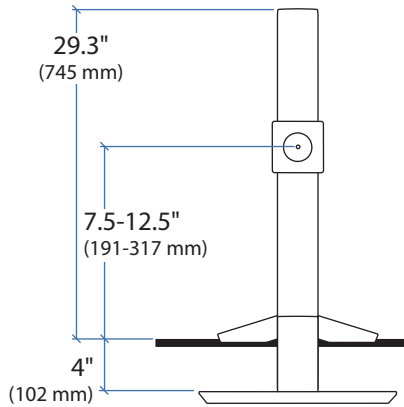


Weight Capacity:



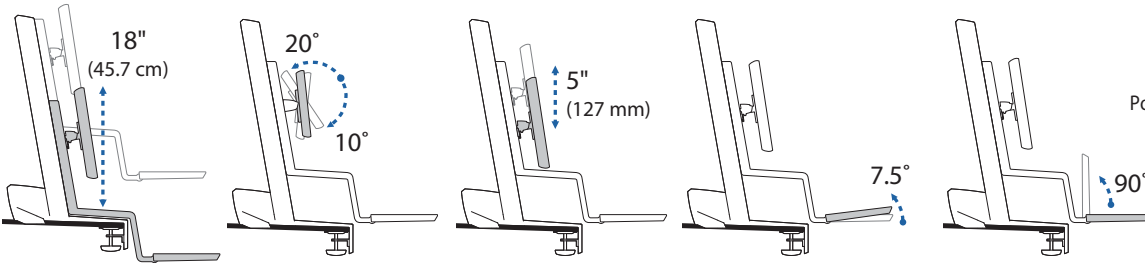
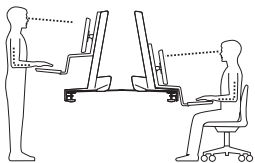
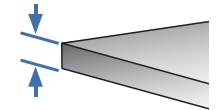
Lowest Position

Highest Position

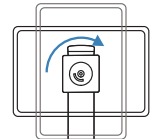


Desk Thickness:

≤ 2.4" (60 mm)

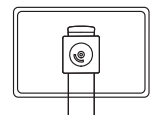


360°



Portrait/Landscape rotation stop screw can be installed for 0° rotation.

0°



© 2011 Ergotron, Inc. rev. 11/09/2011 DIM-WorkFit-S Content is subject to change without notification

Americas Sales and Corporate Headquarters

St. Paul, MN USA
 (800) 888-8458
 +1-651-681-7600
 www.ergotron.com
 sales@ergotron.com

EMEA Sales

Amersfoort, The Netherlands
 +31 33 45 45 600
 www.ergotron.com
 info.eu@ergotron.com

APAC Sale

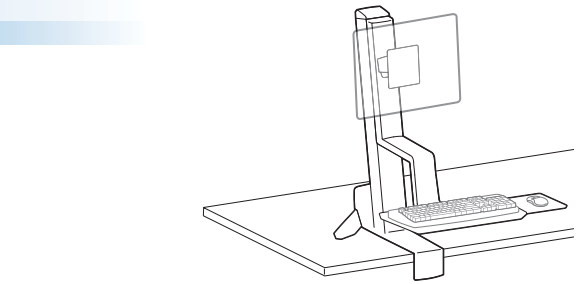
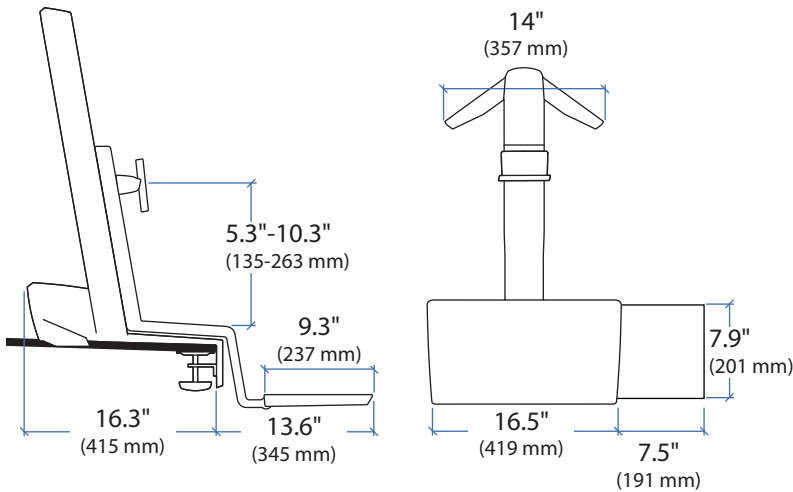
Tokyo, Japan
 www.ergotron.com
 apaccustomerservice@ergotron.com

Worldwide OEM Sales

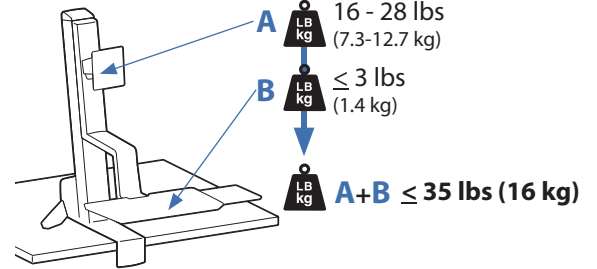
www.ergotron.com
 info.oem@ergotron.com



WorkFit-S, Single LCD Mount, HD

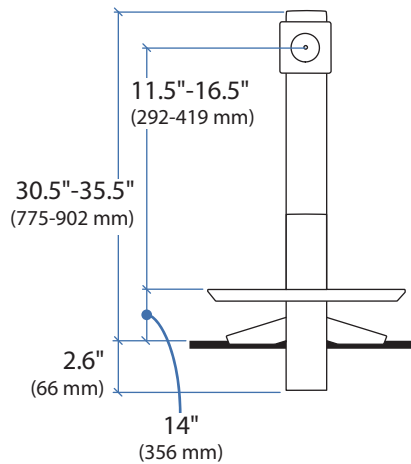
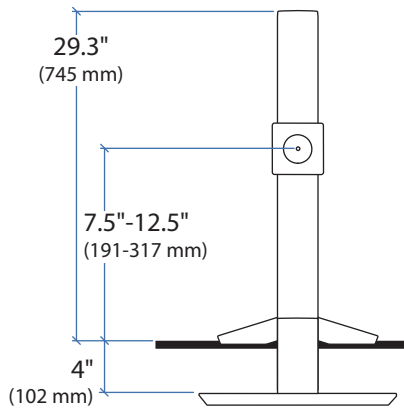


Weight Capacity:



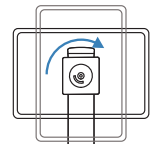
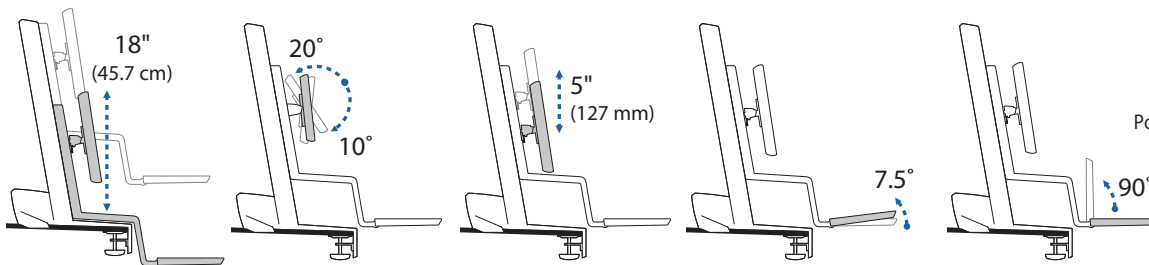
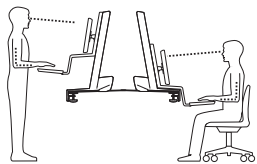
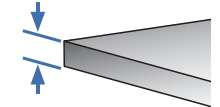
Lowest Position

Highest Position

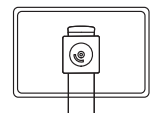


Desk Thickness:

≤ 2.4" (60 mm)



Portrait/Landscape rotation stop screw can be installed for 0° rotation.



© 2011 Ergotron, Inc. rev. 11/09/2011 DIM-WorkFit-S Content is subject to change without notification

Americas Sales and Corporate Headquarters

St. Paul, MN USA
(800) 888-8458
+1-651-681-7600
www.ergotron.com
sales@ergotron.com

EMEA Sales

Amersfoort, The Netherlands
+31 33 45 45 600
www.ergotron.com
info.eu@ergotron.com

APAC Sale

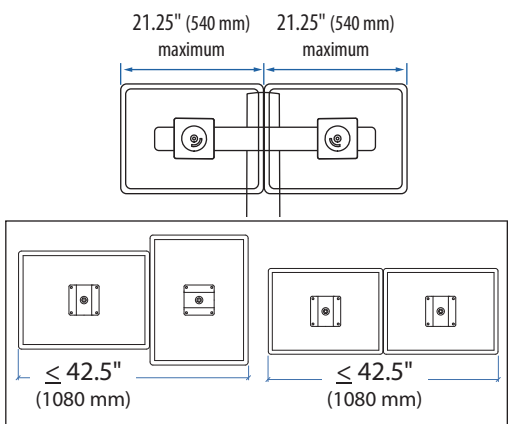
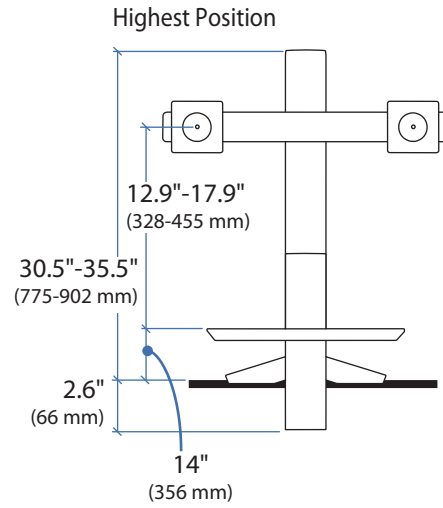
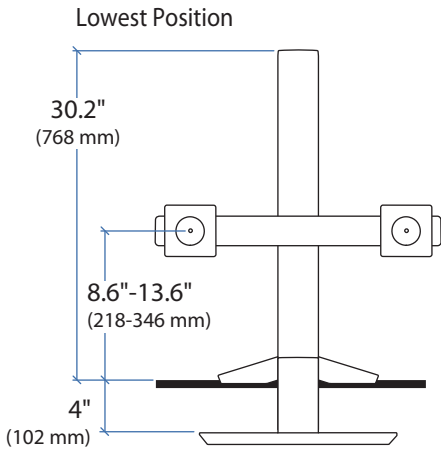
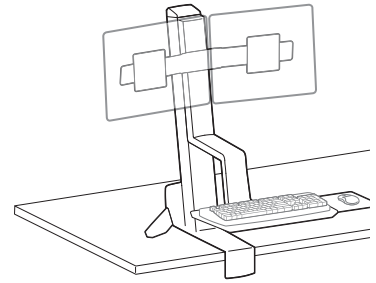
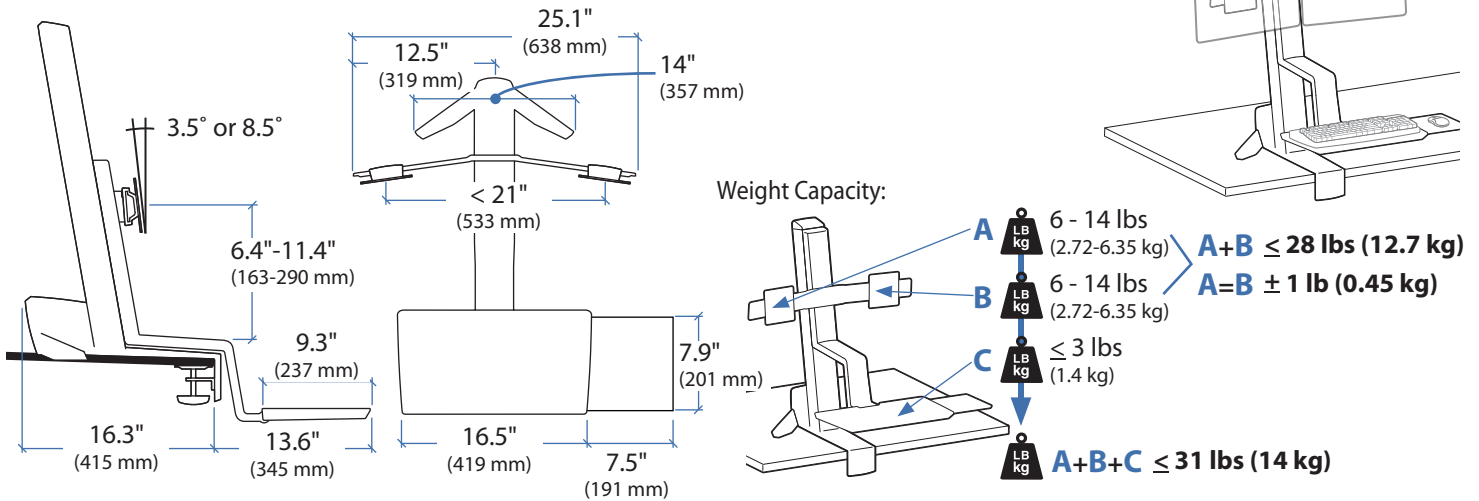
Tokyo, Japan
www.ergotron.com
apaccustomerservice@ergotron.com

Worldwide OEM Sales

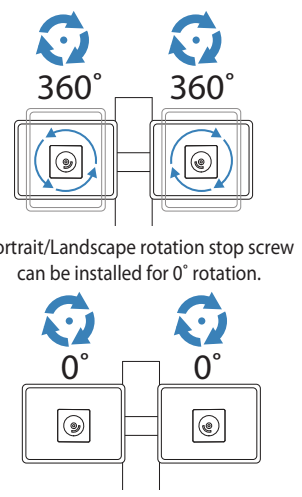
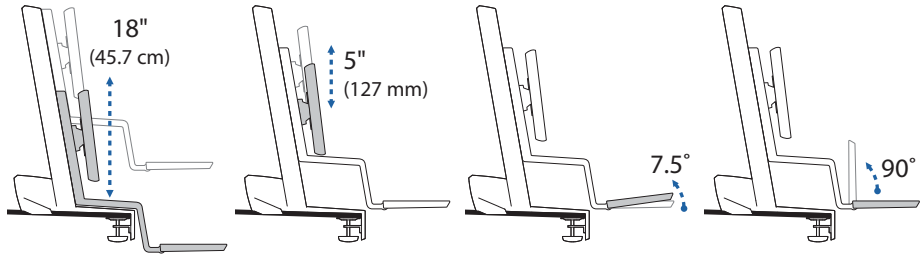
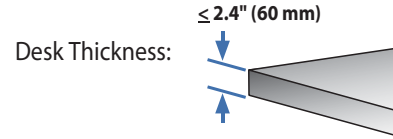
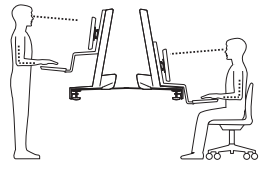
www.ergotron.com
info.oem@ergotron.com



WorkFit-S, Dual



***Attention:** Listed allowable widths assume monitor thickness is 2" (51 mm). If monitor thickness is less, allowable width may be more. Contact Ergotron for details.

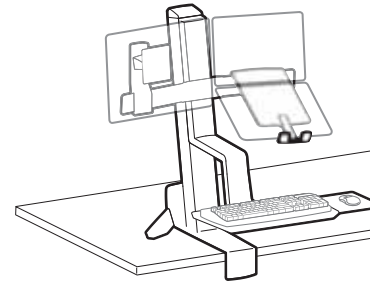
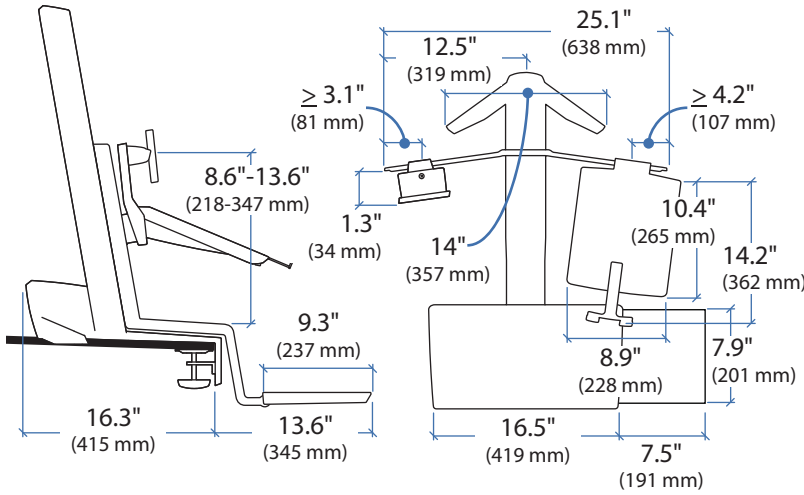


© 2011 Ergotron, Inc. rev. 11/09/2011 DIM-WorkFit-S Content is subject to change without notification

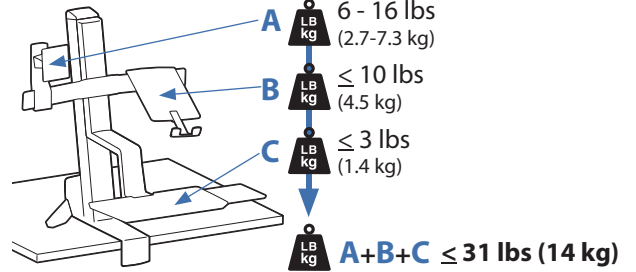
Americas Sales and Corporate Headquarters	EMEA Sales	APAC Sale	Worldwide OEM Sales
St. Paul, MN USA (800) 888-8458 +1-651-681-7600 www.ergotron.com sales@ergotron.com	Amersfoort, The Netherlands +31 33 45 45 600 www.ergotron.com info.eu@ergotron.com	Tokyo, Japan www.ergotron.com apaccustomerservice@ergotron.com	www.ergotron.com info.oem@ergotron.com



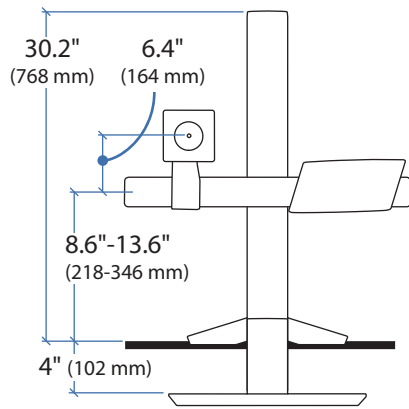
WorkFit-S, LCD & Laptop



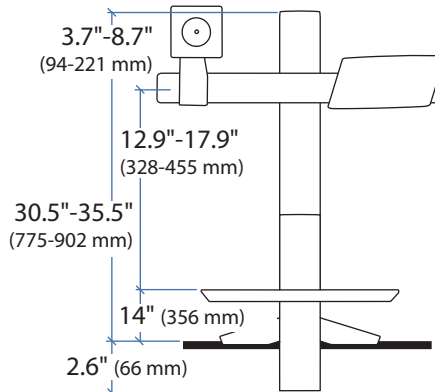
Weight Capacity:



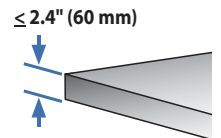
Lowest Position



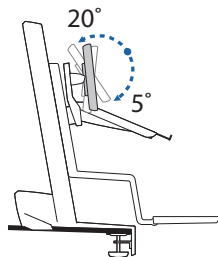
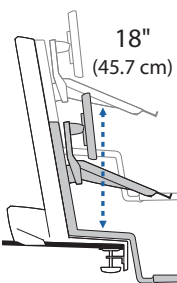
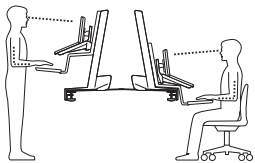
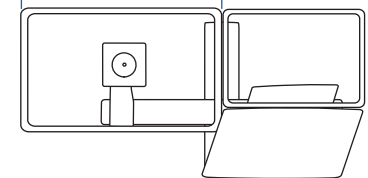
Highest Position



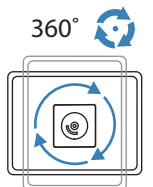
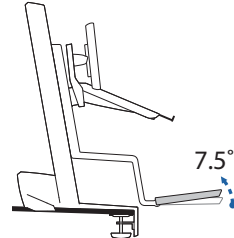
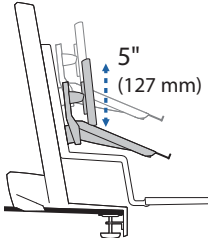
Desk Thickness:



18.8" max (478 mm)



LCD and Laptop Tray



© 2011 Ergotron, Inc. rev. 11/09/2011 DIM-WorkFit-S Content is subject to change without notification

Americas Sales and Corporate Headquarters

St. Paul, MN USA
 (800) 888-8458
 +1-651-681-7600
 www.ergotron.com
 sales@ergotron.com

EMEA Sales

Amersfoort, The Netherlands
 +31 33 45 45 600
 www.ergotron.com
 info.eu@ergotron.com

APAC Sale

Tokyo, Japan
 www.ergotron.com
 apaccustomerservice@ergotron.com

Worldwide OEM Sales

www.ergotron.com
 info.oem@ergotron.com

