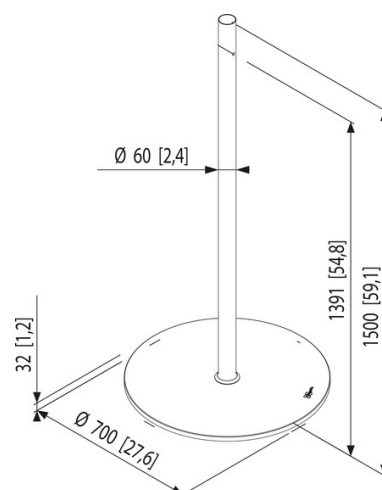


## PFF 1550 Flat display floor stand

The PFF 1550 flat display floor stand is a part of the modular system which enables you to create your own floor solution for LCD/Plasma TV's.

<b>Max. screen size (inches)</b>	50"
<b>Max. weight of TV (kg)</b>	45
<b>Guarantee</b>	5 years



## PFF 1550 Flat display floor stand

The PFF 1550 is a stylish brushed stainless steel flat display floor stand which can be used in many different locations like; boardrooms, hotel lobby's, retail shops, custom install showrooms, car showrooms, shows and exhibitions. A turn and tilt unit (PFA 9001/9002) needs to be added followed by your choice of universal LCD/Plasma interface (FAU 3125/3150), depending on the display.

## Features

### Logistic information

<b>EAN Code Product</b>	8712285313783
<b>Net weight (kg)</b>	34.5
<b>Single Box Width (mm)</b>	790
<b>Single Box Length (mm)</b>	1577
<b>Single Box Height (mm)</b>	187

