

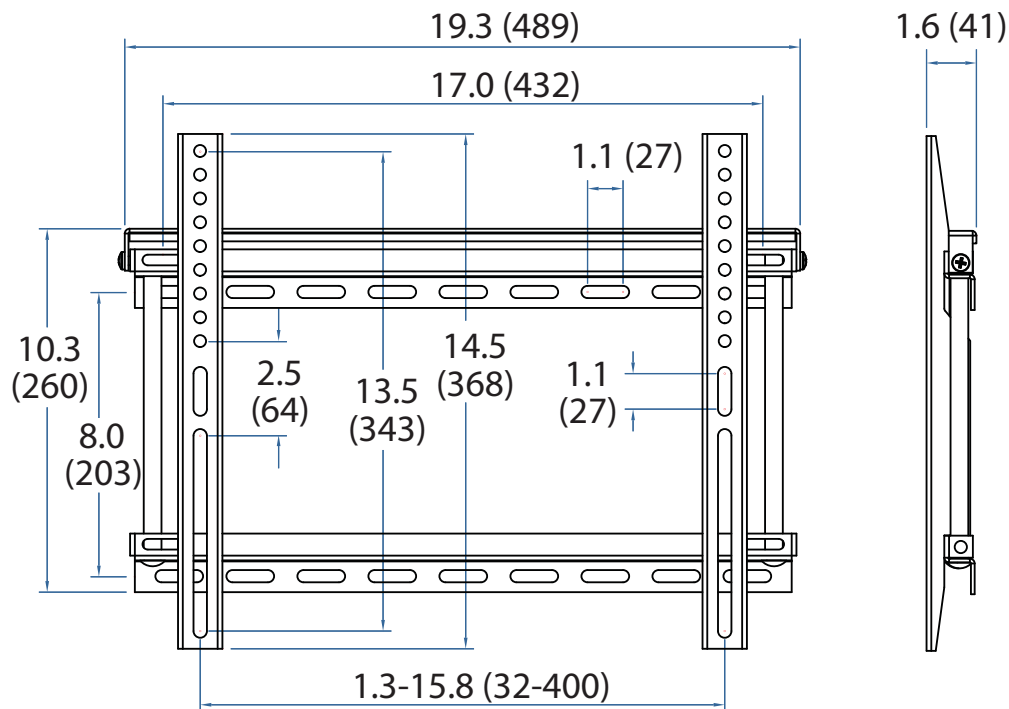
# Ergotron® Wall Mounts Series

Dimensional Illustrations

## Neo-Flex Tilting Wall Mount VHD



60-613



© 2011 Ergotron, Inc. rev. 03/17/2011 DIM-NF TWM-V Content is subject to change without notification

### Americas Sales and Corporate Headquarters

St. Paul, MN USA  
 (800) 888-8458  
 +1-651-681-7600  
[www.ergotron.com](http://www.ergotron.com)  
[sales@ergotron.com](mailto:sales@ergotron.com)

### EMEA Sales

Amersfoort, The Netherlands  
 +31 33 45 45 600  
[www.ergotron.com](http://www.ergotron.com)  
[info.eu@ergotron.com](mailto:info.eu@ergotron.com)

### APAC Sales

Singapore  
[www.ergotron.com](http://www.ergotron.com)  
[info.apac@ergotron.com](mailto:info.apac@ergotron.com)

### Worldwide OEM Sales

[www.ergotron.com](http://www.ergotron.com)  
[info.oem@ergotron.com](mailto:info.oem@ergotron.com)

\* Width refers to monitor's physical outside dimension – not screen size.

