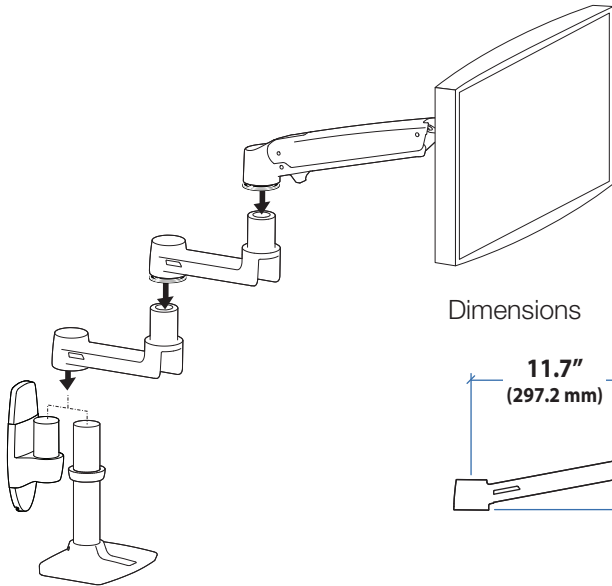


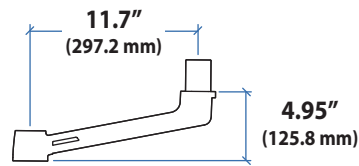
# Ergotron® LX

## Sit-Stand Extension

### Dimensional & Range of Motion Illustrations

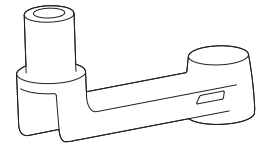


#### Dimensions



#### Weight Capacity

**Maximum Display Weight  
2 Extensions - With 1 Arm**  
Wall Mount: 9.0 kg (20 lbs)  
Grommet Mount: 8.1 kg (18 lbs)  
Desk Mount: 8.1 kg (18 lbs)



© 2011 Ergotron, Inc. rev. 04/18/2011 DIM-LXSSEXT Content is subject to change without notification

#### Americas Sales and Corporate Headquarters

St. Paul, MN USA  
(800) 888-8458  
+1-651-681-7600  
www.ergotron.com  
sales@ergotron.com

#### EMEA Sales

Amersfoort, The Netherlands  
+31 33 45 45 600  
www.ergotron.com  
info.eu@ergotron.com

#### APAC Sale

Tokyo, Japan  
www.ergotron.com  
apaccustomerservice@ergotron.com

#### Worldwide OEM Sales

www.ergotron.com  
info.oem@ergotron.com

