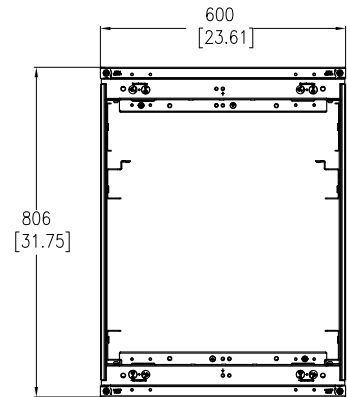
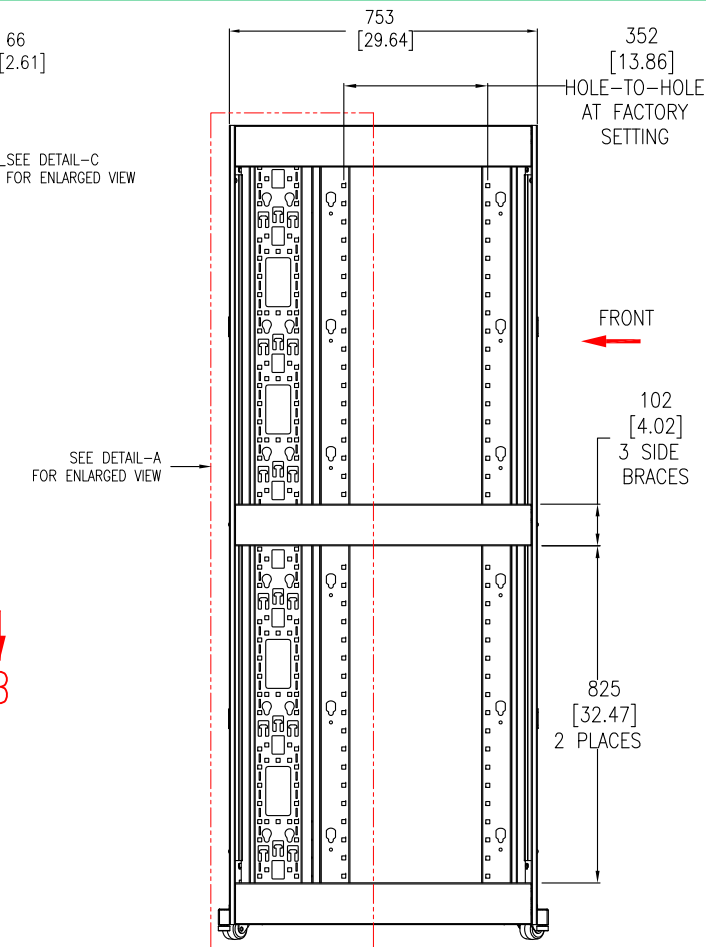


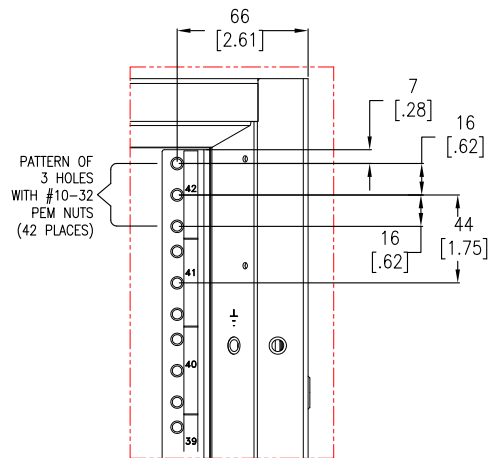
FRONT VIEW



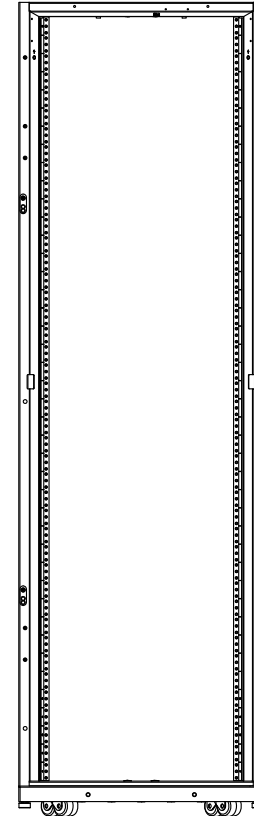
TOP VIEW



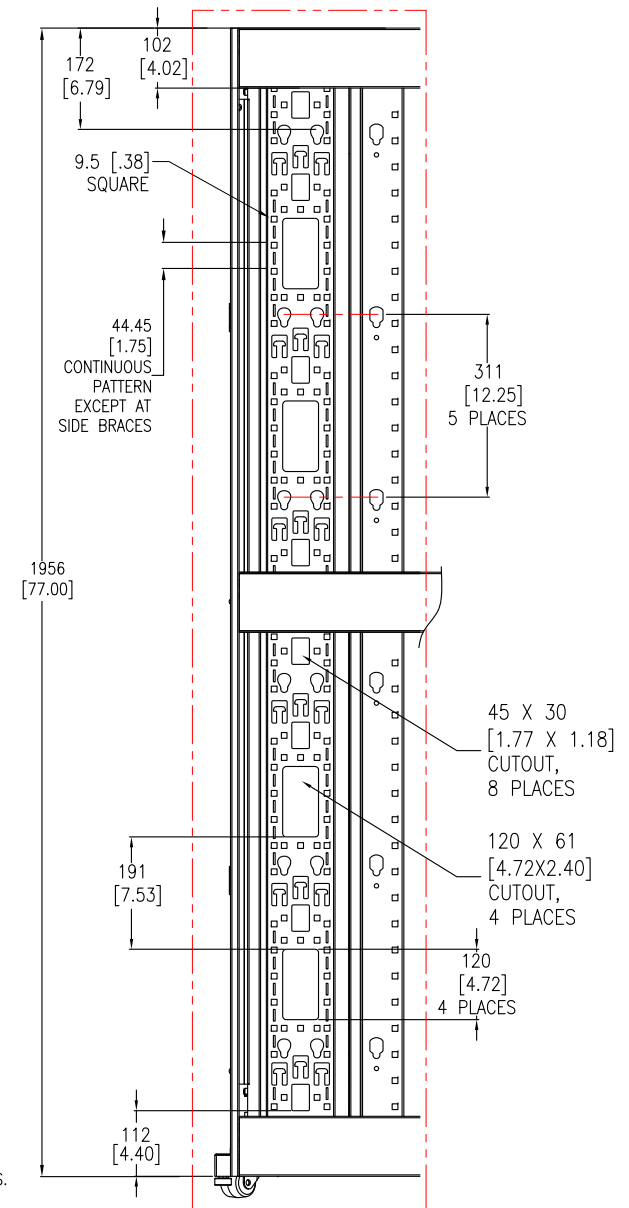
SIDE VIEW



DETAIL-C (ENLARGED VIEW)



REAR VIEW



DETAIL-A
(RACK PDU MOUNTING ENLARGED VIEW)

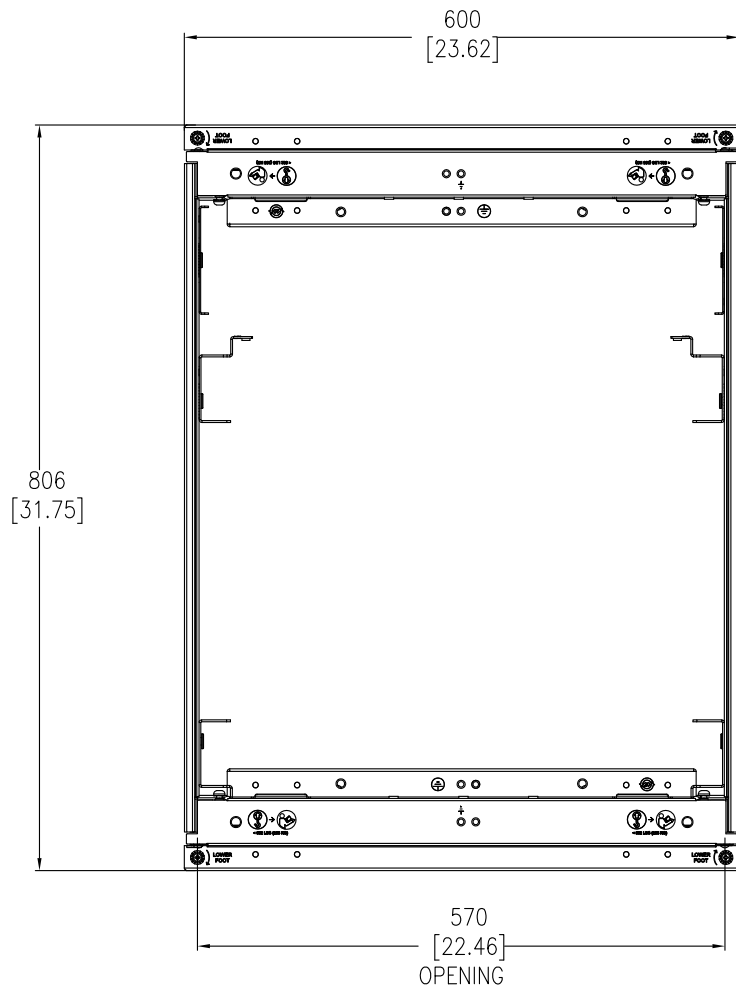
NOTES:

1. INSTALLATION MUST COMPLY WITH ALL APPLICABLE NATIONAL, STATE AND LOCAL CODES.
2. PLEASE REFER TO THE PRODUCT MANUALS FOR DETAILED INFORMATION.
3. UNLESS OTHERWISE SPECIFIED, ALL DIMENSIONS ARE IN MILLIMETERS [INCHES].
4. NET WEIGHT OF UNIT IS 68.64 Kg [151.00 LBS].
5. CABLE ENTRY IS TOP OR BOTTOM OF UNIT.
6. FRONT AND REAR SERVICE ACCESS REQUIRED.
7. AIR FLOW AND SERVICE REQUIREMENTS, AS WELL AS MINIMUM CLEARANCE TO FIRE SUPPRESSION SYSTEMS SHOULD BE CONSIDERED WHEN LOCATING THE ENCLOSURE.

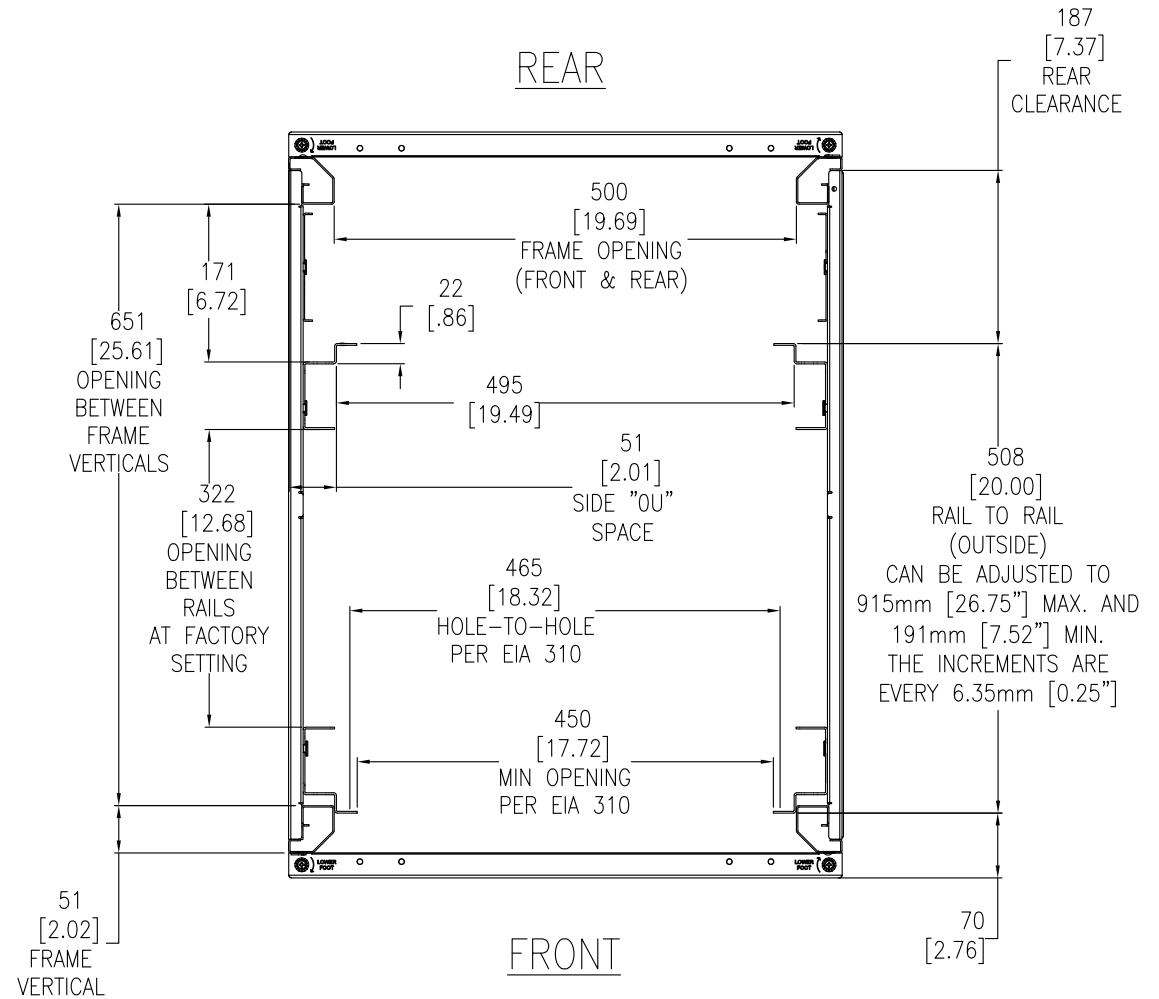
THIS DRAWING AND SPECIFICATIONS HEREIN ARE THE PROPERTY OF SCHNEIDER ELECTRIC AND SHALL NOT BE COPIED, REPRODUCED OR USED IN WHOLE OR IN PART, AS THE BASIS FOR THE MANUFACTURE OR SALE OF ITEMS WITHOUT WRITTEN PERMISSION FROM SCHNEIDER ELECTRIC. THIS DRAWING IS BASED UPON LATEST AVAILABLE INFORMATION AND IS SUBJECT TO CHANGE WITHOUT NOTICE.



TITLE:	NetShelter AV 42U 600MM WIDE X 825MM DEEP ENCLOSURE 10-32 THREADED RAILS NO SIDES/ROOF/DOORS MAIN MECHANICAL	DWG NO:	AR3812	REV.	0
PROJECT: SUBMITTAL DRAWINGS	SHEET 1 OF 3	DRAWN BY:	C KRISHNA	13-SEP-10	FIRST ANGLE PROJECTION
		ENGINEER:	J.BERGESCH/S.NEAL	13-SEP-10	
		APPROVED BY:	M.LEPARD/B.SHERIDAN	13-SEP-10	



TOP VIEW



SECTION B-B

(VIEW FROM INSIDE CABINET,
LOOKING DOWN)

NOTES:

1. INSTALLATION MUST COMPLY WITH ALL APPLICABLE NATIONAL, STATE AND LOCAL CODES.
2. PLEASE REFER TO THE PRODUCT MANUALS FOR DETAILED INFORMATION.
3. UNLESS OTHERWISE SPECIFIED, ALL DIMENSIONS ARE IN MILLIMETERS [INCHES].

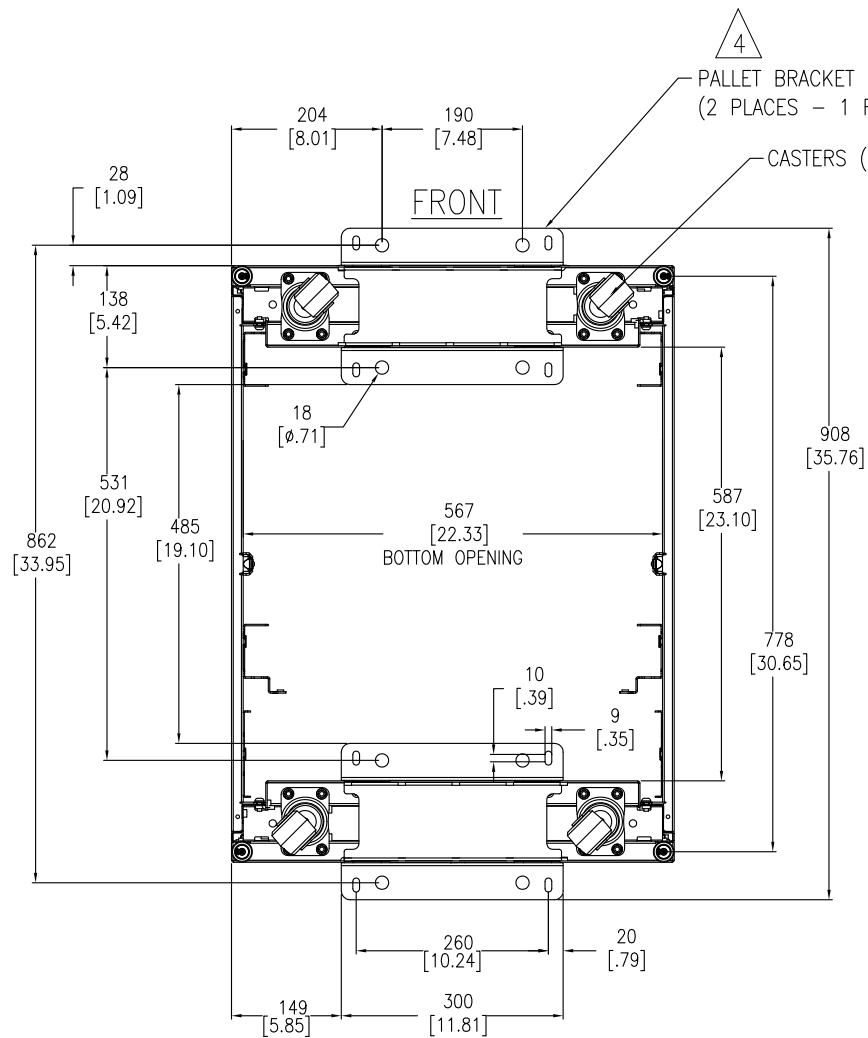
THIS DRAWING AND SPECIFICATIONS HEREIN ARE THE PROPERTY OF SCHNEIDER ELECTRIC AND SHALL NOT BE COPIED, REPRODUCED OR USED IN WHOLE OR IN PART, AS THE BASIS FOR THE MANUFACTURE OR SALE OF ITEMS WITHOUT WRITTEN PERMISSION FROM SCHNEIDER ELECTRIC. THIS DRAWING IS BASED UPON LATEST AVAILABLE INFORMATION AND IS SUBJECT TO CHANGE WITHOUT NOTICE.



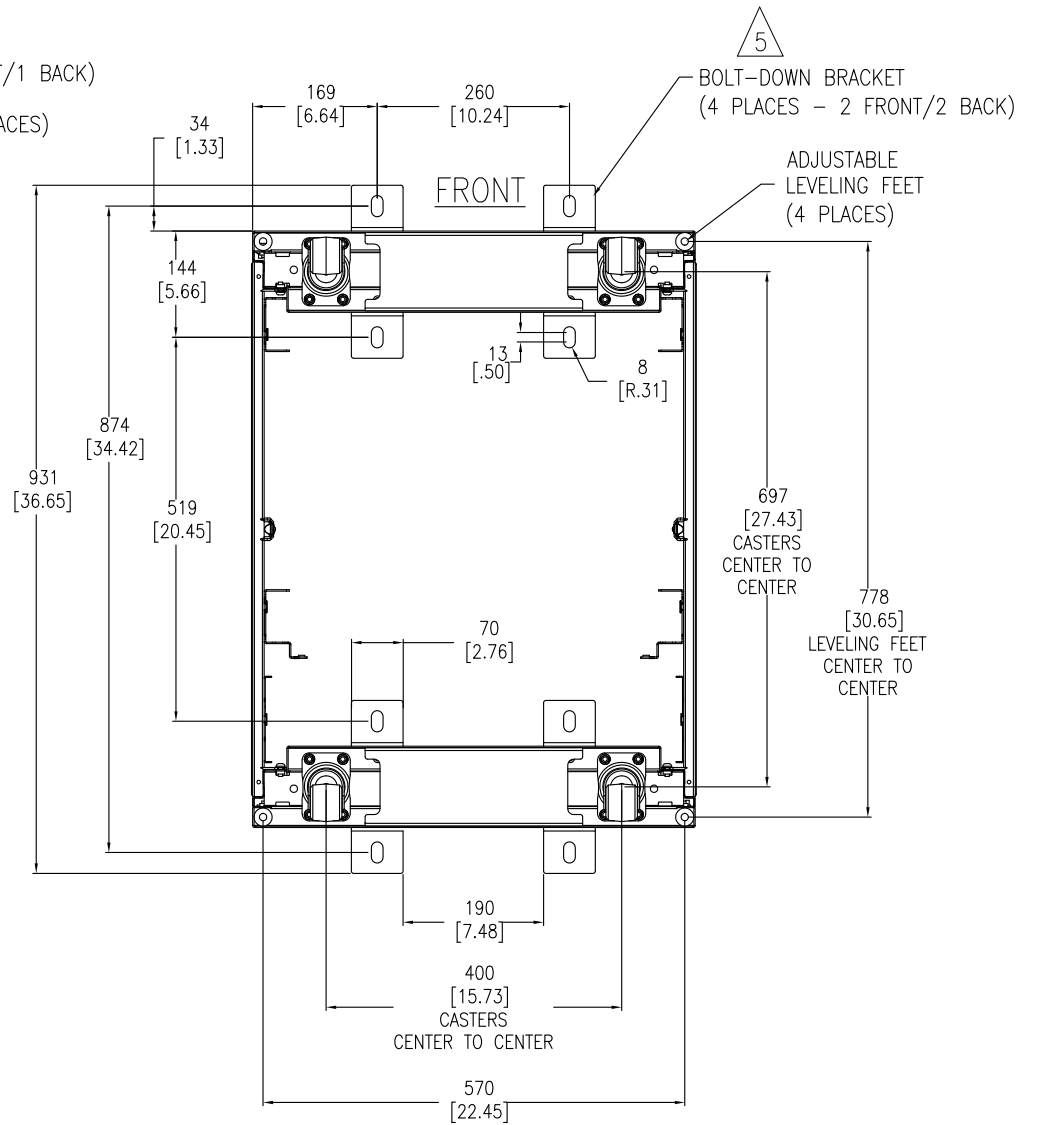
TITLE:
NetShelter AV 42U
600MM WIDE X 825MM DEEP ENCLOSURE
10-32 THREADED RAILS NO SIDES/ROOF/DOORS
TOP AND SECTION VIEWS

PROJECT: SUBMITTAL DRAWINGS SHEET 2 OF 3

DWG NO:	AR3812	REV.	1
DRAWN BY:	C. KRISHNA/S. CUNHA	DATE:	09-FEB-12
ENGINEER:	J. BERGESCH/S. NEAL	DATE:	09-FEB-12
APPROVED BY:	M. LEPPARD/B. SHERIDAN	DATE:	09-FEB-12
		ANGLE	FIRST PROJECTION



BOTTOM VIEW
(WITH PALLET BRACKETS
(CAN BE USED FOR ANCHORING))



BOTTOM VIEW
(WITH OPTIONAL BOLT-DOWN BRACKETS
FOR ANCHORING)

NOTES:

1. INSTALLATION MUST COMPLY WITH ALL APPLICABLE NATIONAL, STATE AND LOCAL CODES.
2. PLEASE REFER TO THE PRODUCT MANUALS FOR DETAILED INFORMATION.
3. UNLESS OTHERWISE SPECIFIED, ALL DIMENSIONS ARE MILLIMETERS [INCHES].
- △4. ANCHORING CAN BE INSTALLED EITHER INSIDE OR OUTSIDE THE NetShelter WITH ONE AT FRONT AND ONE IN BACK.
- △5. BOLT-DOWN KIT (SKU# AR7701) IS OPTIONAL AND HAS TO BE ORDERED SEPARATELY.

THIS DRAWING AND SPECIFICATIONS HEREIN ARE THE PROPERTY OF SCHNEIDER ELECTRIC AND SHALL NOT BE COPIED, REPRODUCED OR USED IN WHOLE OR IN PART, AS THE BASIS FOR THE MANUFACTURE OR SALE OF ITEMS WITHOUT WRITTEN PERMISSION FROM SCHNEIDER ELECTRIC. THIS DRAWING IS BASED UPON LATEST AVAILABLE INFORMATION AND IS SUBJECT TO CHANGE WITHOUT NOTICE.



TITLE: NetShelter AV 42U
600MM WIDE X 825MM DEEP ENCLOSURE
10-32 THREADED RAILS NO SIDES/ROOF/DOORS
BOTTOM VIEWS

PROJECT: SUBMITTAL DRAWINGS SHEET 3 OF 3

DWG NO:	AR3812	REV:	0
DRAWN BY:	C KRISHNA	13-SEP-10	FIRST ANGLE PROJECTION
ENGINEER:	J.BERGESCH/S.NEAL	13-SEP-10	
APPROVED BY:	M.LEPARD/B.SHERIDAN	13-SEP-10	