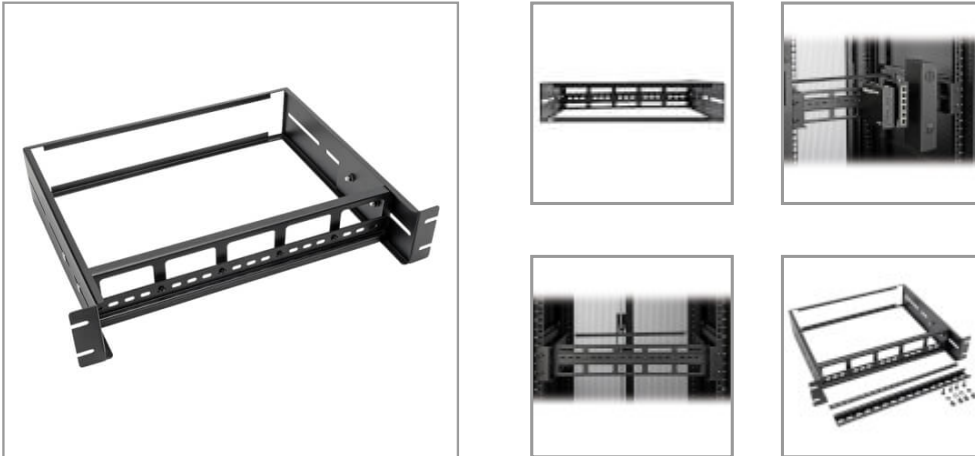


Adjustable Rack-Mount DIN Rail Kit – Top Hat, Mini Top Hat and G-Style Rails

MODEL NUMBER: SRDINRAIL2U



DIN rail-mounting kit allows mounting of circuit breakers and other DIN rail equipment in an enclosure or open frame rack.

Features

DIN Rail-Mounting Kit Compatible with Wide Range of Equipment

This 2U rack-mount DIN kit includes top hat, mini top hat and G-style rails, making it compliant with an array of DIN rail equipment, such as power supplies, bell transformers, terminal strips, programmable time switches and circuit breakers. The adjustable rails can be easily set back to match DIN rail equipment of any depth.

Premium Construction Designed to Endure in Busy Rack Applications

The SRDINRAIL2U DIN rail-mounting kit is made from durable cold-rolled steel with a black powder-coated finish that blends seamlessly with your rack décor. It mounts into 2U of space in an EIA-standard 19-inch open frame rack or floor-standing rack enclosure. Rack-mounting hardware is included for quick installation right from the box.

2-Year Warranty and Environmentally Responsible Design

The SRDINRAIL2U comes with a 2-year warranty. It's manufactured in compliance with strict RoHS specifications, reflecting Tripp Lite's commitment to environmental responsibility.

Highlights

- Ideal for DIN equipment, including power supplies, terminal strips and circuit breakers
- Compatible with EIA-standard 19 in. open frame racks and floor rack enclosures
- Durable cold-rolled steel construction designed to stand up to heavy use over time
- Rack-mounting hardware included for immediate installation
- Includes multiple rail-mount options, including top hat, mini top hat and G style

Applications

- Mount DIN-rail devices in a 19-inch server rack or cabinet

System Requirements

- DIN rail-mount equipment that uses top hat, mini top hat or G-style rail mounts

Package Includes

- SRDINRAIL2U Adjustable Rack-Mount DIN Rail Kit w/pre-installed top hat rail
- (4) M6 screws
- (4) M6 cage nuts
- (4) M6 cup washers
- Mini top hat rail
- G-style rail

Specifications



Tripp Lite
1111 W. 35th Street
Chicago, IL 60609 USA
Telephone: 773.869.1234
www.tripplite.com

OVERVIEW	
UPC Code	037332213266
Accessories Type	Mounting Accessories
PHYSICAL	
Rack Height (U Spaces)	2
Shipping Dimensions (hwd / in.)	15.750 x 19.880 x 4.130
Shipping Dimensions (hwd / cm)	40.00 x 50.50 x 10.49
Shipping Weight (lbs.)	5.9500
Shipping Weight (kg)	2.70
Unit Dimensions (hwd / in.)	3.5 x 18.98 x 14.11
Unit Dimensions (hwd / cm)	8.89 x 48.2 x 35.84
Unit Weight (lbs.)	5.95
Unit Weight (kg)	2.70
Color	Black
Weight Capacity - Stationary (lbs.)	40
Weight Capacity - Stationary (kg)	18
CERTIFICATIONS	
Approvals	RoHS
WARRANTY	
Product Warranty Period (Worldwide)	2-year limited warranty

© 2018 Tripp Lite. All rights reserved. All product and company names are trademarks or registered trademarks of their respective holders. Use of them does not imply any affiliation with or endorsement by them. Tripp Lite has a policy of continuous improvement. Specifications are subject to change without notice. Tripp Lite uses primary and third-party agencies to test its products for compliance with standards. See a list of Tripp Lite's testing agencies: <https://www.tripplite.com/products/product-certification-agencies>