

NetShelter™ SX Cable Management

Organize large volumes of cables from networking switches and patch panels



Enclosure Cable Management

Rear Vertical Zero U Accessory Channels and Cable Management Accessories

Toolless Vertical Cable Management
APC specializes in toolless install cable managers by the use of the zero U channels located in the rear of every NetShelter SX enclosure.

- > Toolless mount Rack PDUs
- > Toolless mount vertical cable organizers
- > Additional vertical 0U accessory channels:

AR7502 – Vertical 0U Accessory Channel, 42U (Qty 2)
AR7552 – Vertical 0U Accessory Channel, 45U (Qty 2)
AR7572 – Vertical 0U Accessory Channel, 48U (Qty 2)
AR7505 – Vertical Cable Organizer, Center Rear Mount
AR7511 – Narrow Vertical 0U Accessory Channel, 42U

AR8442 – Vertical Cable Organizer, 8 Cable Rings, Zero U

- > Supports 35 to 55 Cat 6/Cat 6a data cables
- > Mounts toollessly on the vertical 0U accessory channel



AR8443A – Vertical Fiber Organizer

- > Installs toollessly
- > Takes up one bay of channel
- > Fiber spool only kit available AR8444



AR8444

AR8457 – Data Distribution 0U SX Panel

- > Installs toollessly
- > Takes up one bay of channel
- > Toollessly mount up to four DDC cable heads, 24 ports for rack-to-rack connections



AR7710 – Cable Containment Brackets with Rack PDU Mounting

- > Low profile vertical cable management
- > Support 60 to 90 Cat 6/Cat 6a data cables
- > Mount toollessly on the vertical 0U accessory channel



AR7711 – Zero U Accessory Bracket

- > Mount Rack PDUs rear facing orientation
- > Support 3rd party accessories in numerous mounting configurations
- > Mount 1U or 2U patch panels or other networking accessories



AR8621 – Hook-and-Loop Cable Managers (Qty 10)

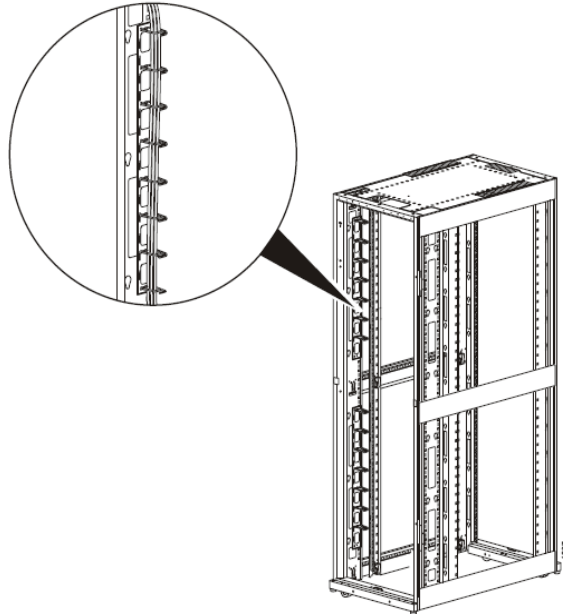
- > Mount toollessly on the vertical 0U accessory channel
- > Secure and bundle cables with hook-and-loop ties



Rear Zero U Vertical Cable Managers

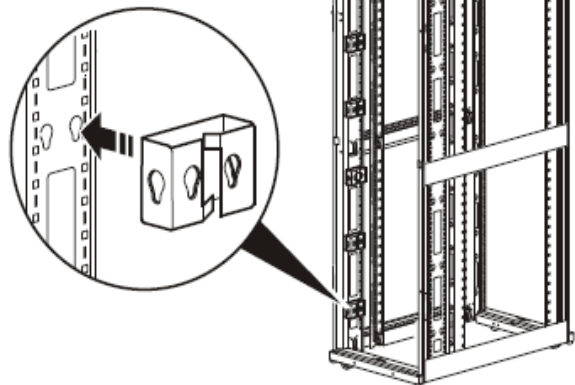
AR8442 – Vertical Cable Organizer 8 Cable Rings, Zero U

- Support 35 to 55 CAT 6/CAT 6a data cables
- Mount toollessly on the rear cable organizer



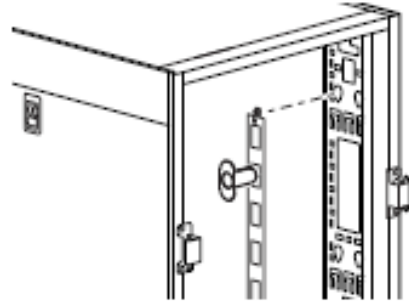
AR7710 - Cable Containment Brackets with PDU Mounting

- Low profile vertical cable management
- Support 60 to 90 CAT 6/CAT 6a data cables
- Mount toollessly on the rear cable organizer



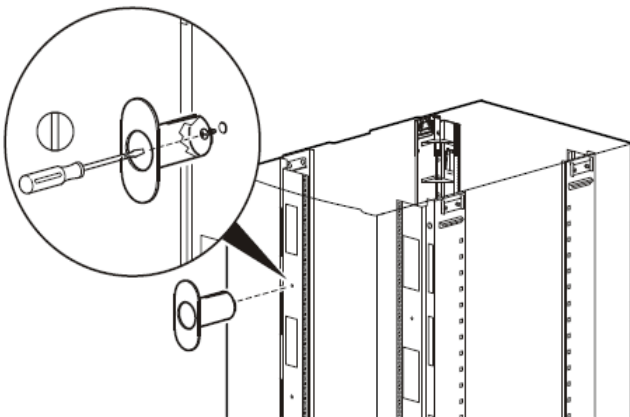
AR8443A - Vertical Fiber Organizer

- Manage fiber within a NetShelter SX enclosure
- Promote proper bend radius of the fiber
- Mitigate any kinking or damaging of the cable
- Includes two organizers and four spools

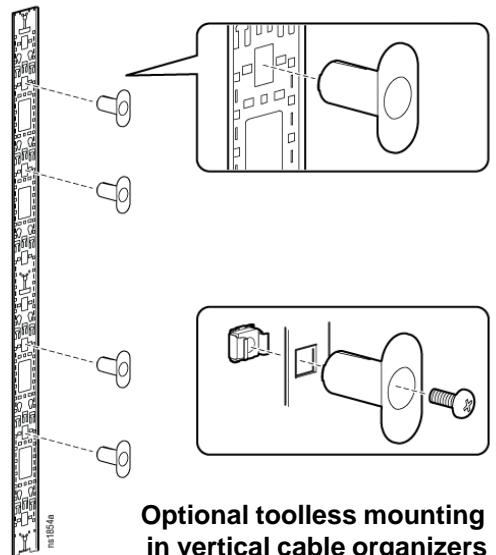


AR8444 - Spools for Vertical Fiber Organizer

- Four plastic spools for fiber management
- Toollessly mount to the vertical cable organizers of any NetShelter SX enclosure
- Attach with screws to the mounting rails of 750mm wide enclosures (Excludes AR3140, AR3340, AR3347 which includes pre-installed vertical cable managers)



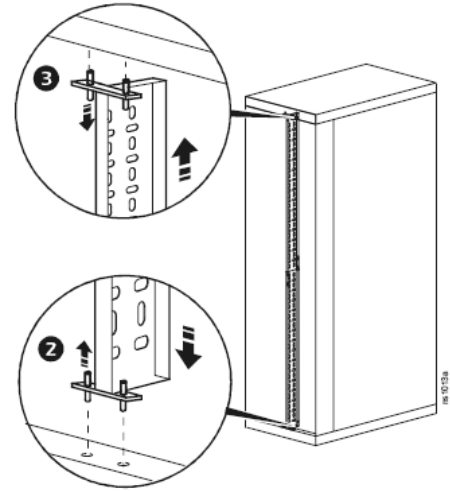
**750-mm Wide Enclosures:
AR3150, AR3157, AR3350, AR3357**



**Optional toolless mounting
in vertical cable organizers**

AR7505 – Center, Rear-Mount Vertical Cable Organizer

- Allows cable routing or Rack PDU installation vertically in the rear of the enclosure.
- Consists of three pieces, including a smaller piece that allows for installation in a 48U enclosure.



Pass-through Enclosure Side Panels

AR7305A - NetShelter SX 42U x 1070mm D Pass -Through Side Panels

AR7313 – 42U x 1200mm D

AR7315 – 45U x 1070mm D

AR7316 – 45U x 1200mm D

AR7314 – 48U x 1200mm D

AR7375 – 48U x 1070mm D

- Allow cable pass through to adjacent racks
- Holes contain brushes to control airflow
- Includes two panels



750-mm Wide Enclosures

High Density Vertical Cable Management

AR7580 – Vertical Cable Manager for NetShelter SX 750 mm wide

- Fits all 750 mm wide enclosures*
 - Capacity 250 Cat6, 190 Cat6a (.25" - .30" dia) per channel section
 - Mount up to 4 per enclosure
 - 6" durable fingers at 1U increments
 - Cable retainers standard
 - Full covers available (AR7581)
- * Excludes AR3140, AR3340, AR3347 which include pre-installed vertical cable managers



AR7581 – Hinged Covers for NetShelter SX 750 mm Wide Vertical Cable Manager

- Covers conceal all vertical cable routing
- Covers open left and right
- Snap hinges provide trouble-free access to cables

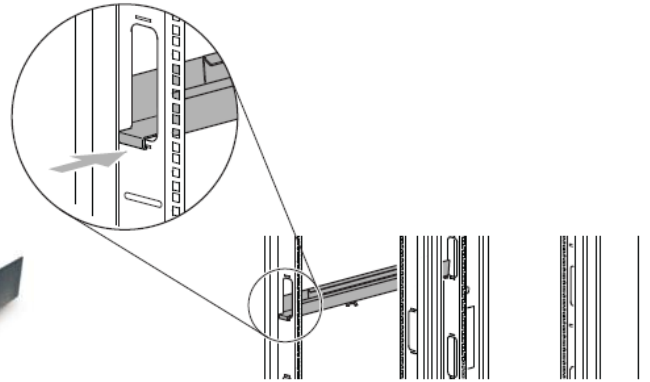


AR7582 – Replacement Cable Retainers

- Qty. 6 cable retainers with snap hinges

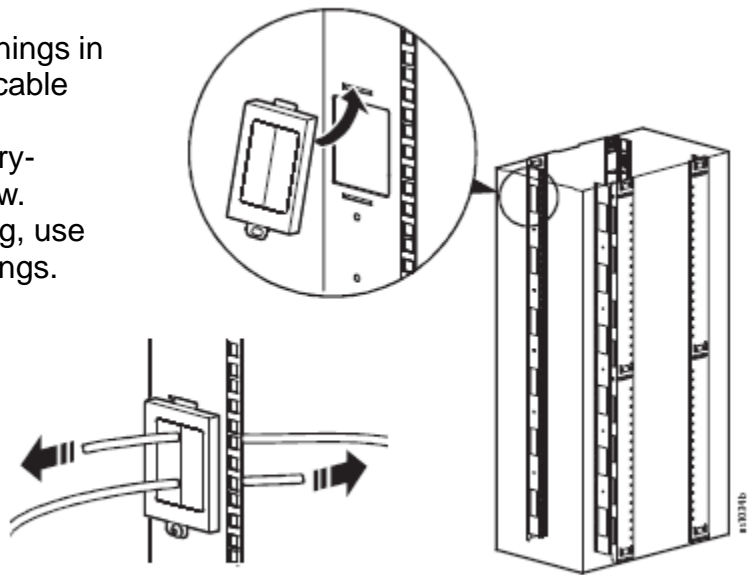
AR8008BLK/AR8016ABLK– Horizontal Cable Organizer Side Channel

- Cable management accessory to help eliminate cable stress and maintain a neat, organized cable layout within an enclosure or rack.



AR7706– Vertical Mounting Rail Brush strip kit

- Includes six pieces
- 750-mm wide enclosures feature openings in the front vertical mounting flanges for cable routing.
- These openings are sealed with factory-installed plastic covers to restrict airflow.
- If covers are removed for cable routing, use the Brush Strip Kit to re-seal the openings.



AR7707 – 1U Cable Rings

- Includes eight cable rings.
- Fastens cables to the vertical mounting rails of the enclosure.
- For use with 750mm wide enclosures in networking applications.



Open Frame Rack Vertical Cable Management

Performance Vertical Cable Managers

- Fits two and four post open frame racks
- Similar look-and-feel to NetShelter™ enclosures
- 84" H, Single and Double-sided cable channel in 6, 10, 12-in wide options
- Slam to latch full length door opens to left or right
- New, best-in-class, high capacity cable finger design with smooth radius fingers at 1U increments for superior cable protection
- Cable management backplate (single-sided models) for toollessly mounting Rack PDUs and a variety of cable management accessories within the vertical cable manager
- Cable management midspan bracket (double-sided models) for toolless accessory installation and division of interior cable management space for deeper or shallower channel space
- Ships fully assembled



Single-sided
AR8615 – 6"
AR8635 – 10"
AR8665 – 12"



Double-sided
AR8625 – 6"
AR8645 – 10"
AR8675 – 12"



**6" High Capacity Cable Finger Design –
Slimmest, best-in-class design**

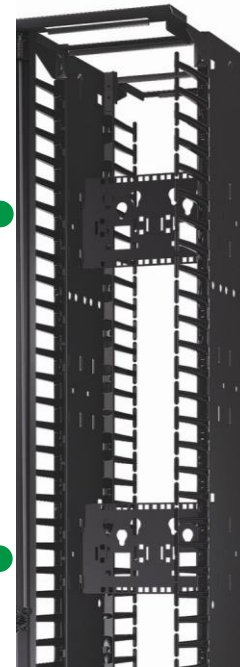
Toolless Mounting Rack Accessories

Cable management backplate (single-sided models) or midspan (double-sided models) bracket allow:

- Toollessly mount, front or rear, multiple vertical Rack PDUs
- 19" patch panels can be installed vertically (double-sided managers only)
- Cable divider (AR8680) installation for creating multiple cable pathways
- Toolless installation of cable management accessories (AR8621/AR8444)

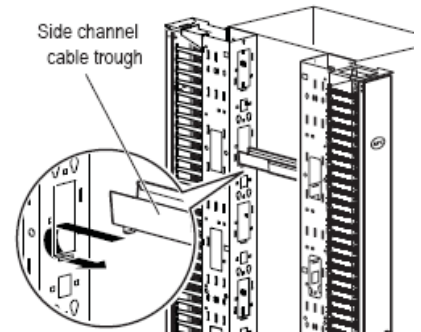
AR8444– Toolless Fiber Spools

- For organizing fiber cabling
- Various mounting positions throughout channel of vertical cable managers



19" EIA Vertical Rack Mount Space

AR8675 – 12" double-sided shown



AR8615 – 6" single-sided shown

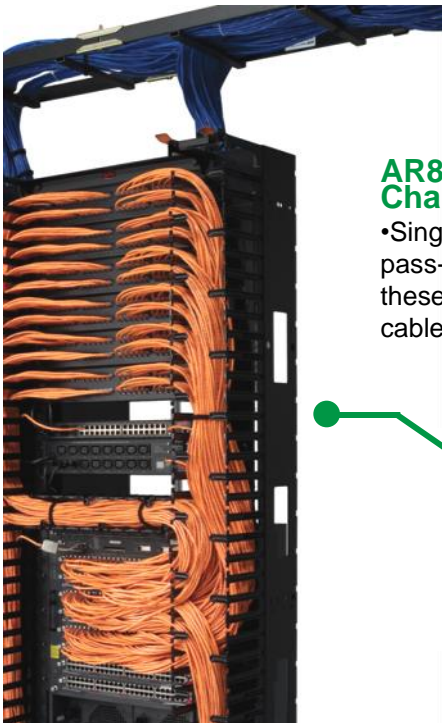
AR8016ABLK– Horizontal Manager Side Channel

- Single-sided vertical cable managers include pass-through holes and mounting slots to support these horizontal cable troughs for front-to-back cable pass-through



AR8621 – Toolless Hook and Loop Cable Managers

- Toolless for organizing data cable bundles
- Various mounting positions on back panel of vertical cable managers



Additional Performance Accessories

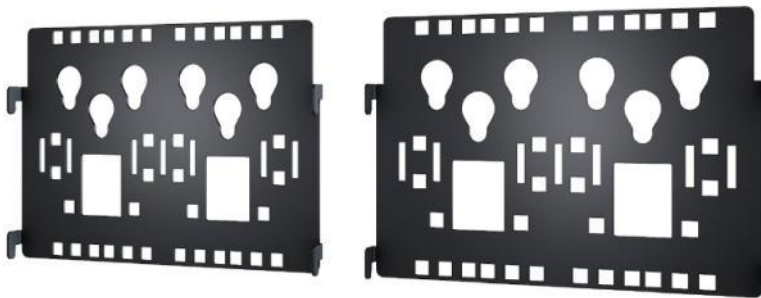
AR8680 – Performance, Cable Divider/Organizer (2 per kit)

- For creating multiple cable pathways within 2 and 4 Post Vertical Cable Managers.
- Includes tie-off features for securing cabling using toolless hook-and-loop cable managers (AR8621).



AR8681, AR8682, AR8683 – Performance, Midspan Accessory Bracket for Double-sided Vertical Cable Managers

- Additional midspan accessory brackets for use with 6, 10, and 12" double-sided Performance Vertical Cable Managers.
- Removeable midspan brackets in double-sided managers allow re-arrangement of the interior space for 40-60, 50-50, or 60-40 split
- Includes 2 midspan accessory brackets



AR8682 – 10" midspan bracket shown



High Density Horizontal Cable Management

High Density Horizontal Cable Managers - 6" deep, plastic finger-style

Includes:

- 6-in, high-capacity cable fingers, slimmest best-in class design
- Covers with snap hinges for trouble-free access to cables
- Hardware to install (2) alike horizontal cable managers back-to-back for double-sided applications (see application image below)



AR8612 – Horizontal Cable Manager, 1U Single Side with Cover



AR8606 – Horizontal Cable Manager, 2U Single Side with Cover

- Rear cable pass-through holes and square mounting holes for toolless hook-and-loop cable managers (AR8621)



AR8603A – Horizontal Cable Manager, 2U Single Side with Cover

- Rear cable pass-through holes with brush strips and slots for AR8008BLK/AR8016ABLK side channels
- Bottom panel provides cable tie-off locations and square mounting holes for toolless hook-and-loop cable managers (AR8621)



AR8605 – High Density Horizontal Cable Manager, 3U Single Side with Cover

- 6-in fingers, rear cable pass-through holes with brush strips and slots for AR8008BLK/AR8016ABLK side channels



Double-sided configuration

- Quantity (2) AR8606 shown installed back-to-back

Horizontal Cable Management

Horizontal Cable Managers - 4" deep, plastic finger-style

AR8602 – Horizontal Cable Manager, 1U Single Side with Cover

- Includes covers with snap hinges for trouble-free access to cables.



AR8600 – Horizontal Cable Manager, 2U Single Side with Cover

- Includes covers with snap hinges for trouble-free access to cables.



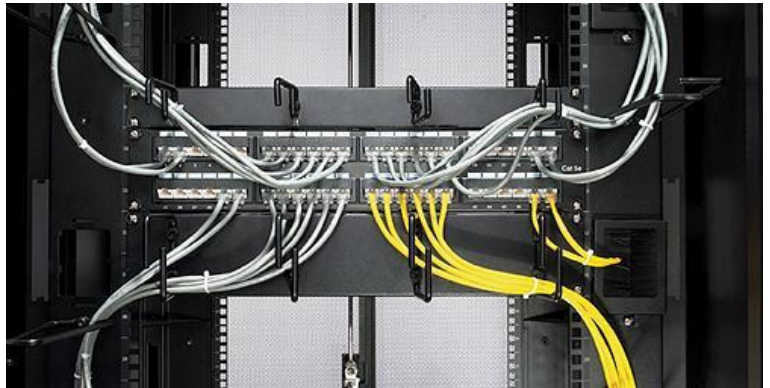
AR8601 – Horizontal Cable Manager, 2U Double Side with Cover

- Includes covers with snap hinges for trouble-free access to cables.



Horizontal Cable Organizers

Horizontal Cable Organizers – metal ring-style



AR8113A – Cable Management Rings

- Includes five large and five small rings.
- Fastens cables to posts, mounting rails, or braces.



AR8425A and AR8426A – 1U and 2U Horizontal Cable Organizers



AR8428 – Horizontal Cable Organizer 2U with pass through holes



AR8427A – Horizontal Cable Organizer 2U with cable fingers



AR8429 – 1U Horizontal Cable Organizer with Brush Strip

