

ISX Modular Power Distribution Unit

1. SYSTEM MAINS SUPPLY RATING

Mains voltage :	3/N/PE-400V/230V, 47-63Hz
Control Voltage :	24V at 50Hz
Short-circuit current Icc :	10 kA
Feed :	Single

2. SYSTEM EARTHING

The system earthing is TN-S with L1,L2,L3,N,PE at both inlets and outlets

3. STANDARDS

The ISX PDU is built according to : IEC/EN60950

4. ENVIRONMENTS

The assembly is made for an ambient temperature of : Max: +40°C

5. ENCLOSURE

The enclosure of the assembly is : IP20 and Form 1
The assembly material is : Steel with Surface coating

6. POSITIONING

The assembly is made for indoor installation on floor

7. DIMENSIONS AND WEIGHTS

Height :	2002 mm
Width :	300 mm
Depth :	1072 mm
Weight :	160 kg

8. CABLE ENTRIES

Inlets: Top Bottom Sides
Outlets: Top Bottom Sides

9. CONNECTIONS

Power Circuits :
Input Output
 Component terminals Busbar
Control Circuits :
 Terminals

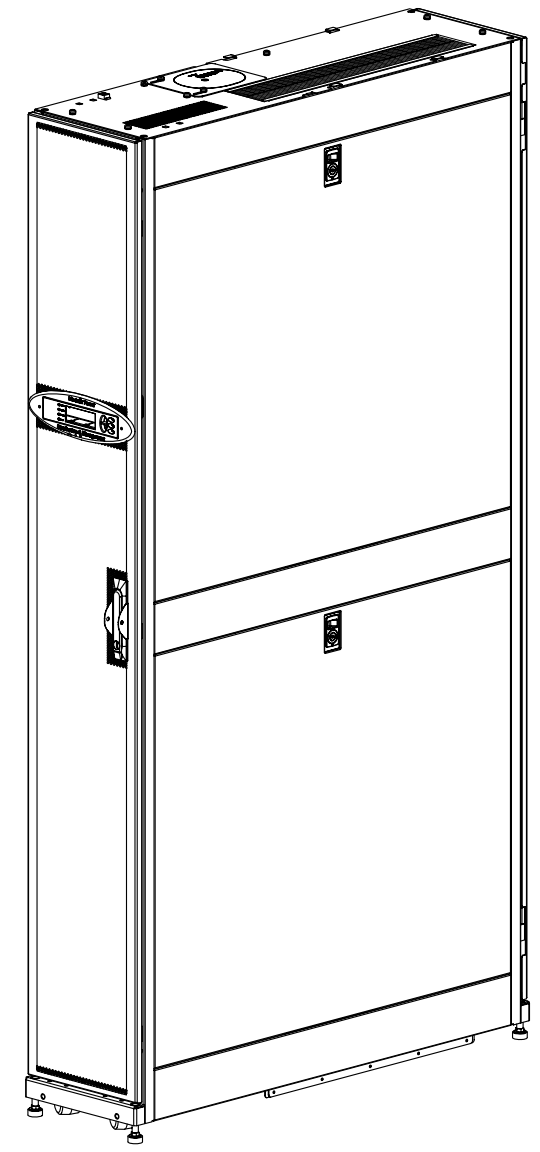
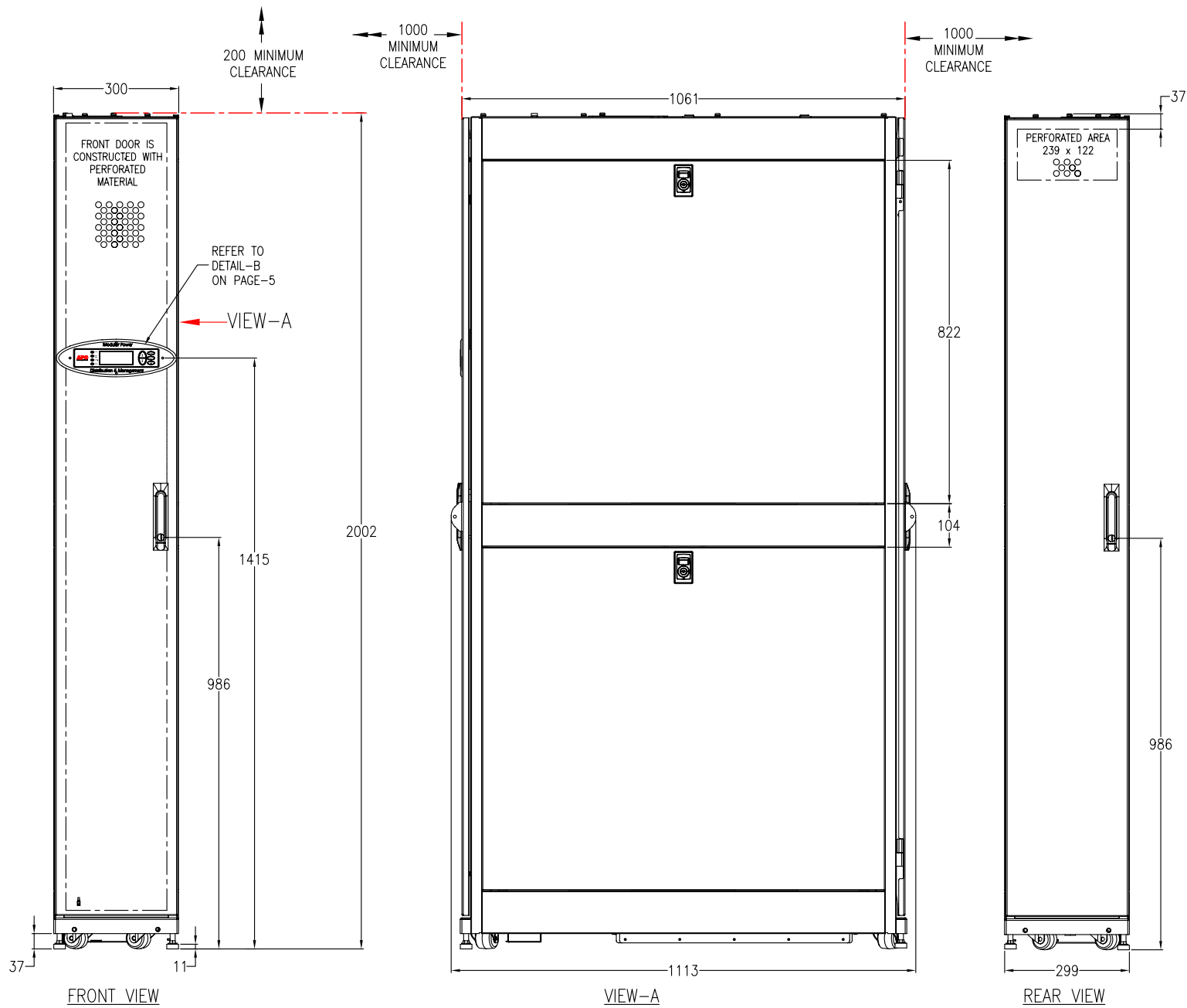
THIS DRAWING AND SPECIFICATIONS HEREIN ARE THE PROPERTY OF SCHNEIDER ELECTRIC AND SHALL NOT BE COPIED, REPRODUCED OR USED IN WHOLE OR IN PART, AS THE BASIS FOR THE MANUFACTURE OR SALE OF ITEMS WITHOUT WRITTEN PERMISSION FROM SCHNEIDER ELECTRIC. THIS DRAWING IS BASED UPON LATEST AVAILABLE INFORMATION AND IS SUBJECT TO CHANGE WITHOUT NOTICE.



TITLE:
ISX MODULAR POWER DISTRIBUTION UNIT
Input: 400A, 3PH-400V
Output: 277kW 400A 400/230V 72 POLE
SPECIFICATIONS
PROJECT: SUBMITTAL DRAWINGS SHEET 1 OF 7

DWG NO: PDPM277H-SP
DRAWN: BALAMURUGAN 13-AUG-08
ENGINEER: S.LEE 29-AUG-08
APPROVED: C.LARSEN/S.WAGH 29-AUG-08

REV: 1
ANGLE OF PROJECTION
N.A.



DIMETRIC VIEW

- NOTES:
1. INSTALLATION MUST COMPLY WITH NATIONAL AND LOCAL ELECTRICAL REGULATIONS.
 2. PLEASE REFER TO APC PRODUCT MANUALS FOR DETAILS.
 3. ALL DIMENSIONS ARE IN MILLIMETERS.
 4. CABLE ENTRY IS FROM TOP OR BOTTOM OF UNIT.
 5. FRONT, AND REAR ACCESS ARE REQUIRED FOR SERVICE.
 6. WEIGHT OF THE UNIT IS 160 kg WITHOUT POWER DISTRIBUTION MODULES.

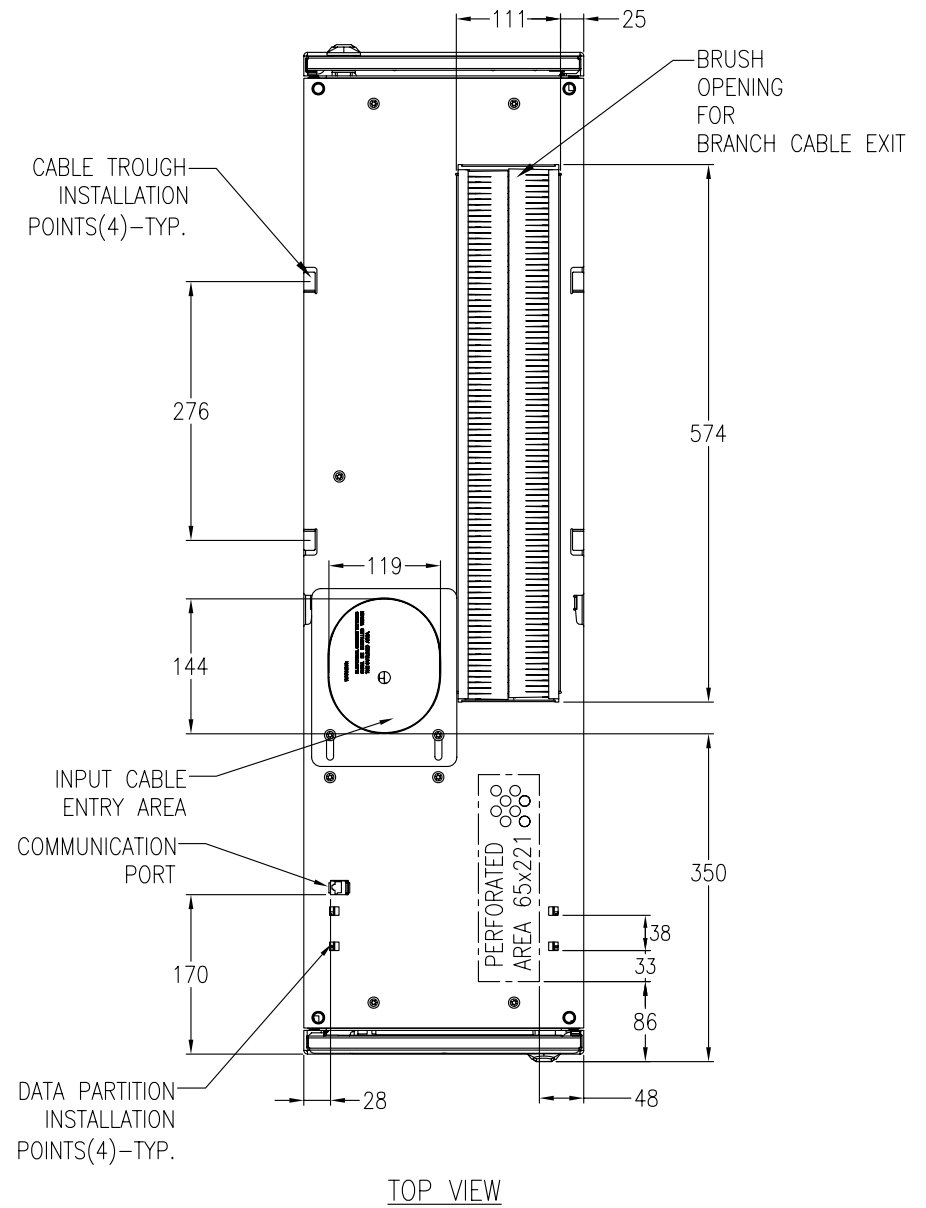
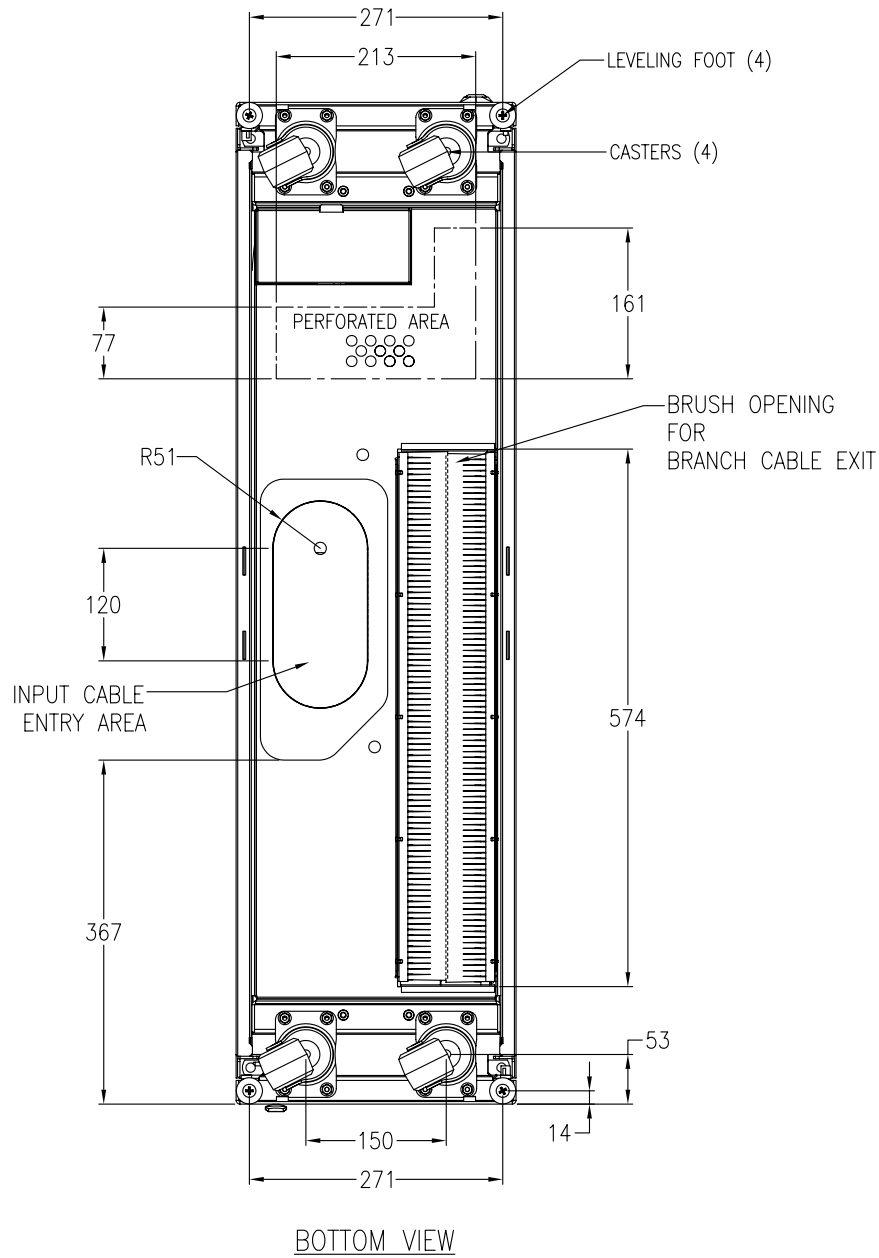
THIS DRAWING AND SPECIFICATIONS HEREIN ARE THE PROPERTY OF SCHNEIDER ELECTRIC AND SHALL NOT BE COPIED, REPRODUCED OR USED IN WHOLE OR IN PART, AS THE BASIS FOR THE MANUFACTURE OR SALE OF ITEMS WITHOUT WRITTEN PERMISSION FROM SCHNEIDER ELECTRIC. THIS DRAWING IS BASED UPON LATEST AVAILABLE INFORMATION AND IS SUBJECT TO CHANGE WITHOUT NOTICE.



TITLE:
ISX MODULAR DISTRIBUTION UNIT
Input: 400A, 3PH-400V
Output: 277kW, 400A, 400/230V 72 POLE
MAIN MECHANICAL

DWG NO:	PDPM277H-MM1		REV.	1
DRAWN:	BALAMURUGAN	13-AUG-08	FIRST ANGLE PROJECTION	
ENGINEER:	SLEE	29-AUG-08		
APPROVED:	CLARSEN/S.WAGH	29-AUG-08		

PROJECT: SUBMITTAL DRAWINGS SHEET 2 OF 7



NOTES:

1. INSTALLATION MUST COMPLY WITH NATIONAL AND LOCAL ELECTRICAL REGULATIONS.
2. PLEASE REFER TO APC PRODUCT MANUALS FOR DETAILS.
3. ALL DIMENSIONS ARE IN MILLIMETERS.
4. CABLE ENTRY IS FROM TOP OR BOTTOM OF UNIT.

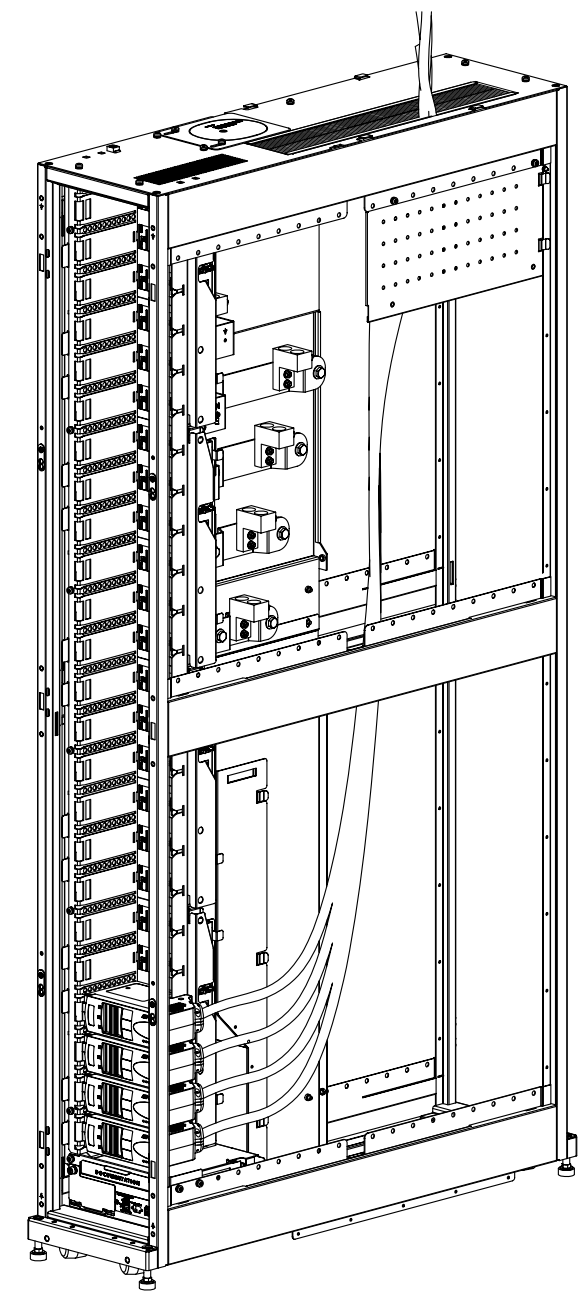
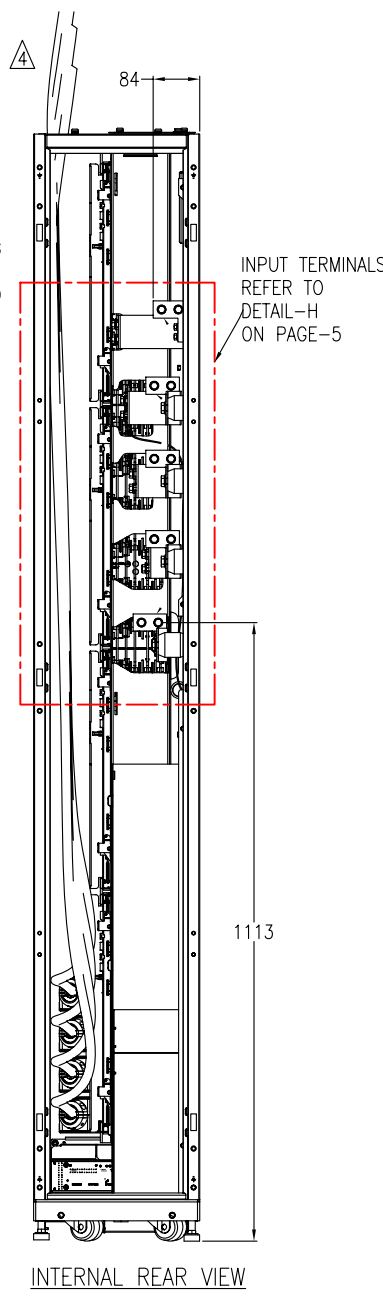
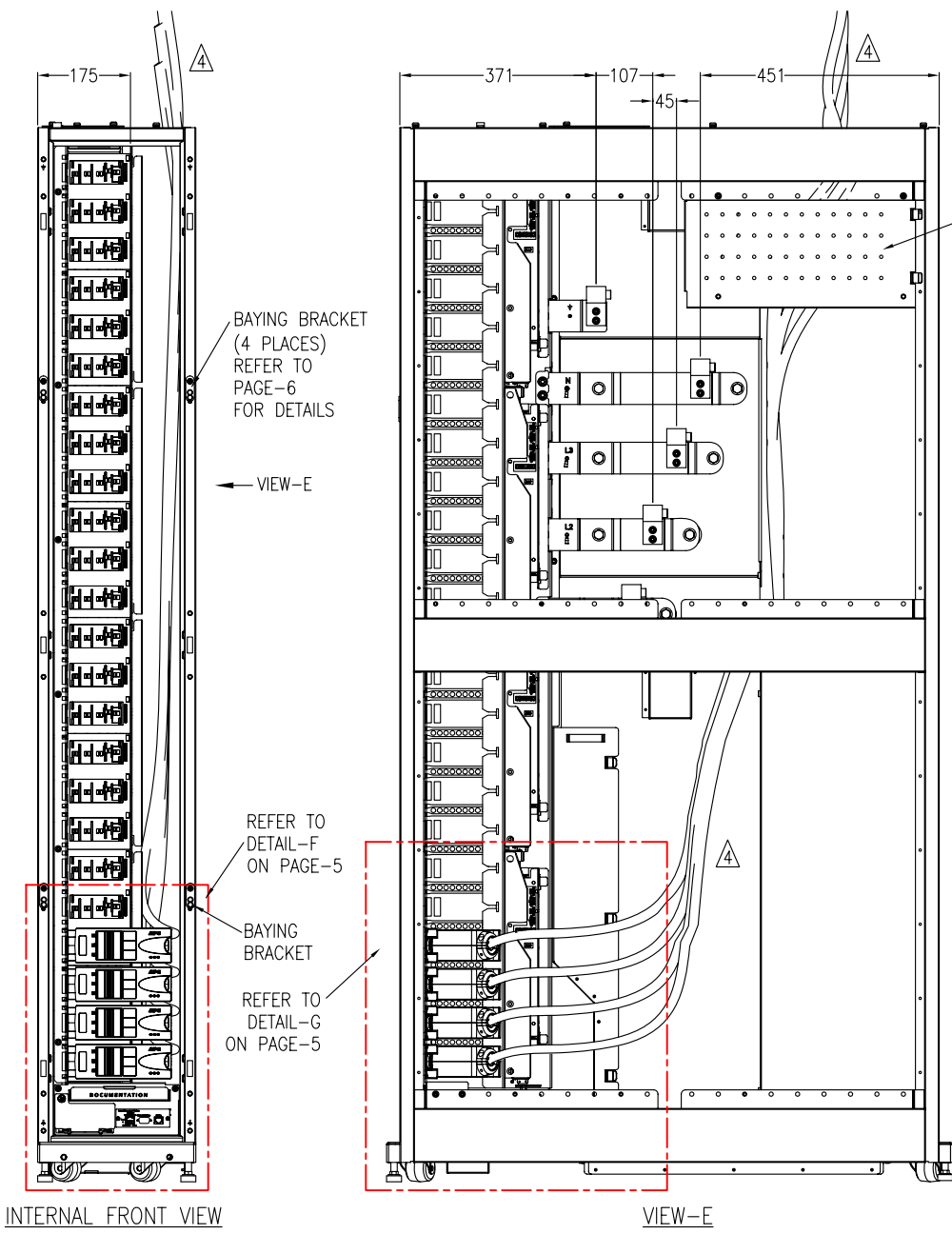
THIS DRAWING AND SPECIFICATIONS HEREIN ARE THE PROPERTY OF SCHNEIDER ELECTRIC AND SHALL NOT BE COPIED, REPRODUCED OR USED IN WHOLE OR IN PART, AS THE BASIS FOR THE MANUFACTURE OR SALE OF ITEMS WITHOUT WRITTEN PERMISSION FROM SCHNEIDER ELECTRIC. THIS DRAWING IS BASED UPON LATEST AVAILABLE INFORMATION AND IS SUBJECT TO CHANGE WITHOUT NOTICE.

Schneider Electric

TITLE:
 ISX MODULAR DISTRIBUTION UNIT
 Input: 400A, 3PH-400V
 Output: 277kW, 400A, 400/230V 72 POLE
 TOP AND BOTTOM VIEWS
 PROJECT: SUBMITTAL DRAWINGS SHEET 3 OF 7

DWG NO: PDPM277H-MM2
 DRAWN: BALAMURUGAN 13-AUG-08
 ENGINEER: S.LEE 29-AUG-08
 APPROVED: CLARSEN/S.WAGH 29-AUG-08

REV. 1
 FIRST ANGLE PROJECTION

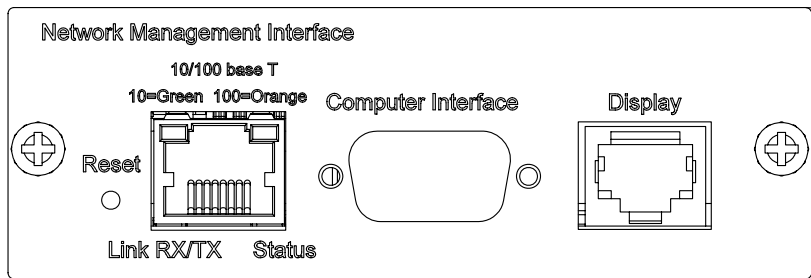


- NOTES:
1. INSTALLATION MUST COMPLY WITH NATIONAL AND LOCAL ELECTRICAL REGULATIONS.
 2. PLEASE REFER TO APC PRODUCT MANUALS FOR DETAILS.
 3. ALL DIMENSIONS ARE IN MILLIMETERS.
 - △ 4. ALL POWER DISTRIBUTION MODULES AND EXTENDER CABLES ARE NOT PART OF THIS SKU AND ARE ORDERED SEPARATELY. PLEASE CONTACT APC.
 5. CONNECTION DETAILS SHOWN ARE TYPICAL. REFER TO SLD FOR DETAILS.
 6. SOME STRUCTURAL DETAILS HAVE BEEN OMITTED FOR CLARITY.

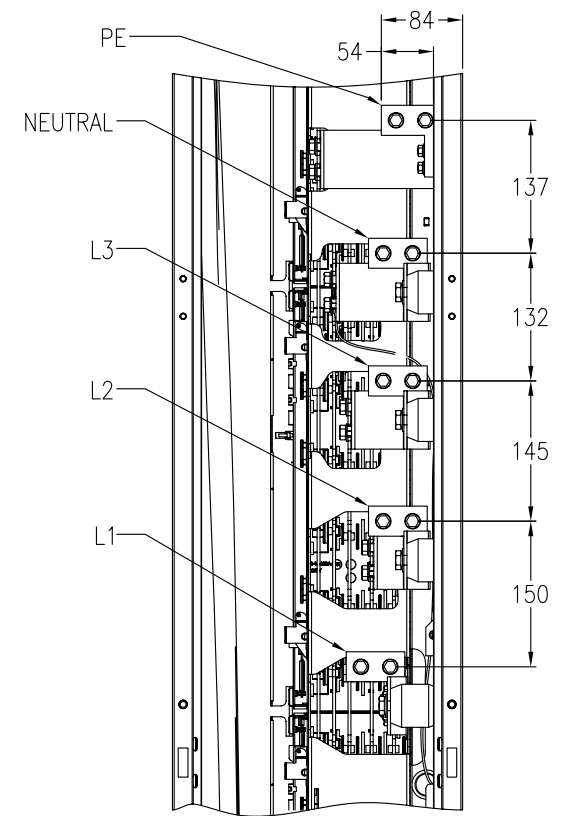
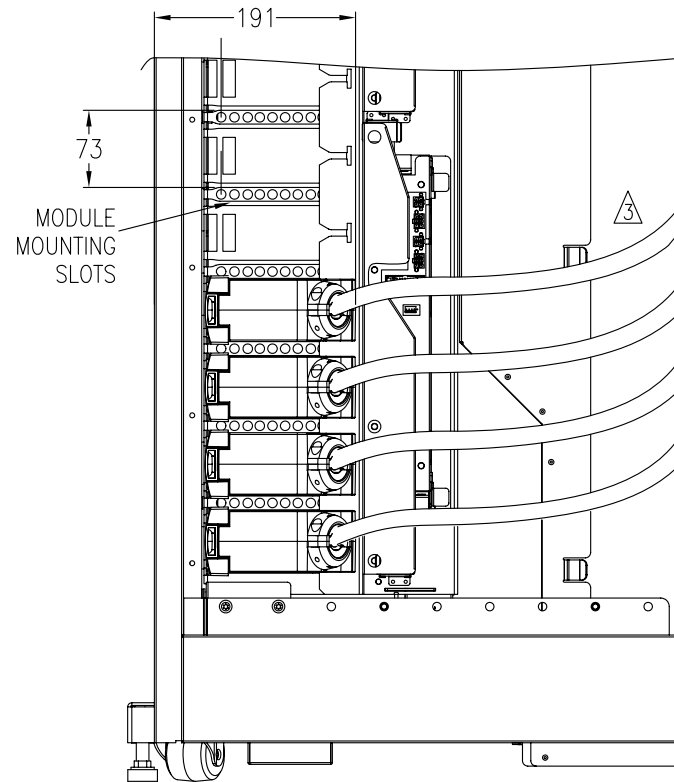
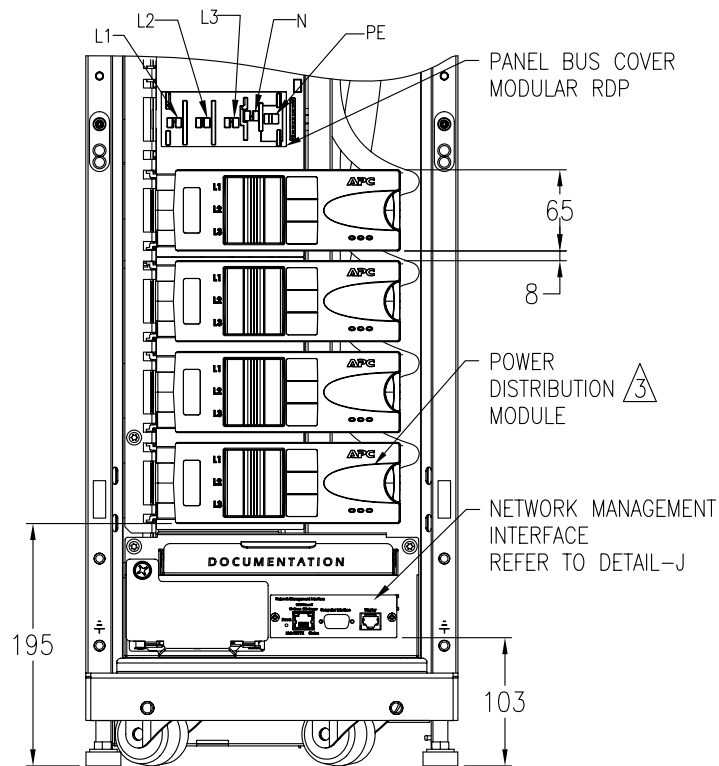
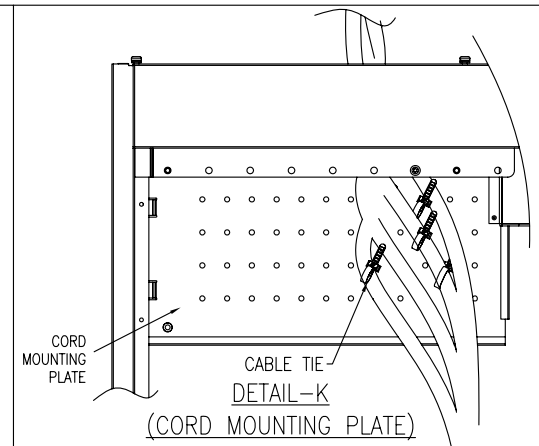
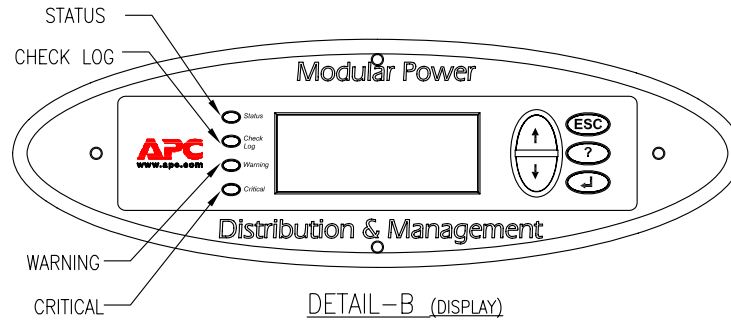
THIS DRAWING AND SPECIFICATIONS HEREIN ARE THE PROPERTY OF SCHNEIDER ELECTRIC AND SHALL NOT BE COPIED, REPRODUCED OR USED IN WHOLE OR IN PART, AS THE BASIS FOR THE MANUFACTURE OR SALE OF ITEMS WITHOUT WRITTEN PERMISSION FROM SCHNEIDER ELECTRIC. THIS DRAWING IS BASED UPON LATEST AVAILABLE INFORMATION AND IS SUBJECT TO CHANGE WITHOUT NOTICE.



TITLE:		DWG NO: PDPM277H-ME1		REV. 1
ISX MODULAR DISTRIBUTION UNIT		DRAWN: BALAMURUGAN		13-AUG-08
Input: 400A, 3PH-400V		ENGINEER: S.LEE		29-AUG-08
Output: 277kW, 400A, 400/230V 72 POLE		APPROVED: C.LARSEN/S.WACH		29-AUG-08
INTERNAL VIEW, CONNECTION DETAILS		PROJECT: SUBMITTAL DRAWINGS		SHEET 4 OF 7



DETAIL-J (COMMUNICATION INTERFACE)



NOTES:

1. INSTALLATION MUST COMPLY WITH NATIONAL AND LOCAL ELECTRICAL REGULATIONS.
2. PLEASE REFER TO APC PRODUCT MANUALS FOR DETAILS.
- △ 3. ALL POWER DISTRIBUTION MODULES AND EXTENDER CABLES ARE NOT PART OF THIS SKU AND ARE ORDERED SEPARATELY. PLEASE CONTACT APC.

THIS DRAWING AND SPECIFICATIONS HEREIN ARE THE PROPERTY OF SCHNEIDER ELECTRIC AND SHALL NOT BE COPIED, REPRODUCED OR USED IN WHOLE OR IN PART, AS THE BASIS FOR THE MANUFACTURE OR SALE OF ITEMS WITHOUT WRITTEN PERMISSION FROM SCHNEIDER ELECTRIC. THIS DRAWING IS BASED UPON LATEST AVAILABLE INFORMATION AND IS SUBJECT TO CHANGE WITHOUT NOTICE.



TITLE:
ISX MODULAR DISTRIBUTION UNIT
Input: 400A, 3PH-400V
Output: 277kW, 400A, 400/230V 72 POLE
USER INTERFACE & INTERNAL DETAILS

PROJECT: SUBMITTAL DRAWINGS SHEET 5 OF 7

DWG NO: PDPM277H-ME2

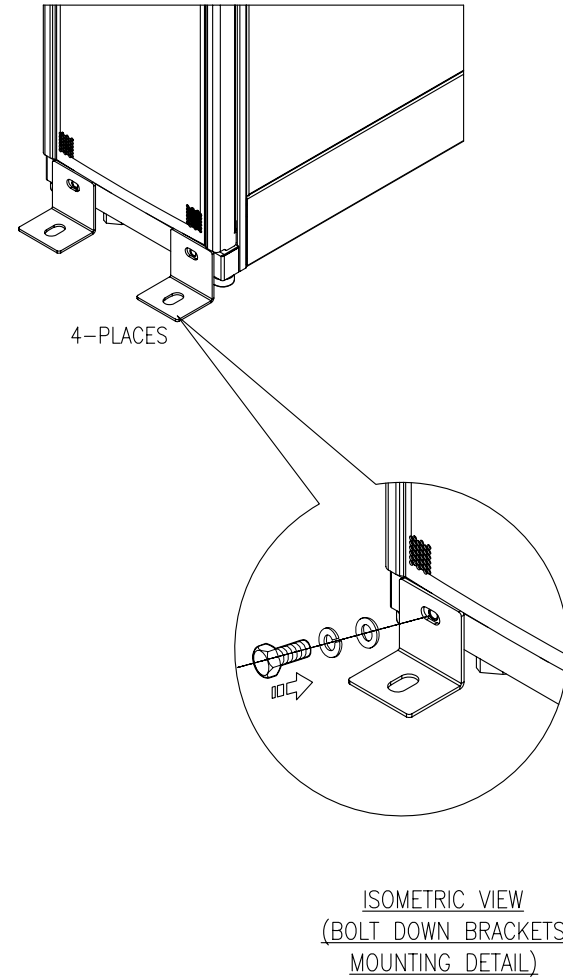
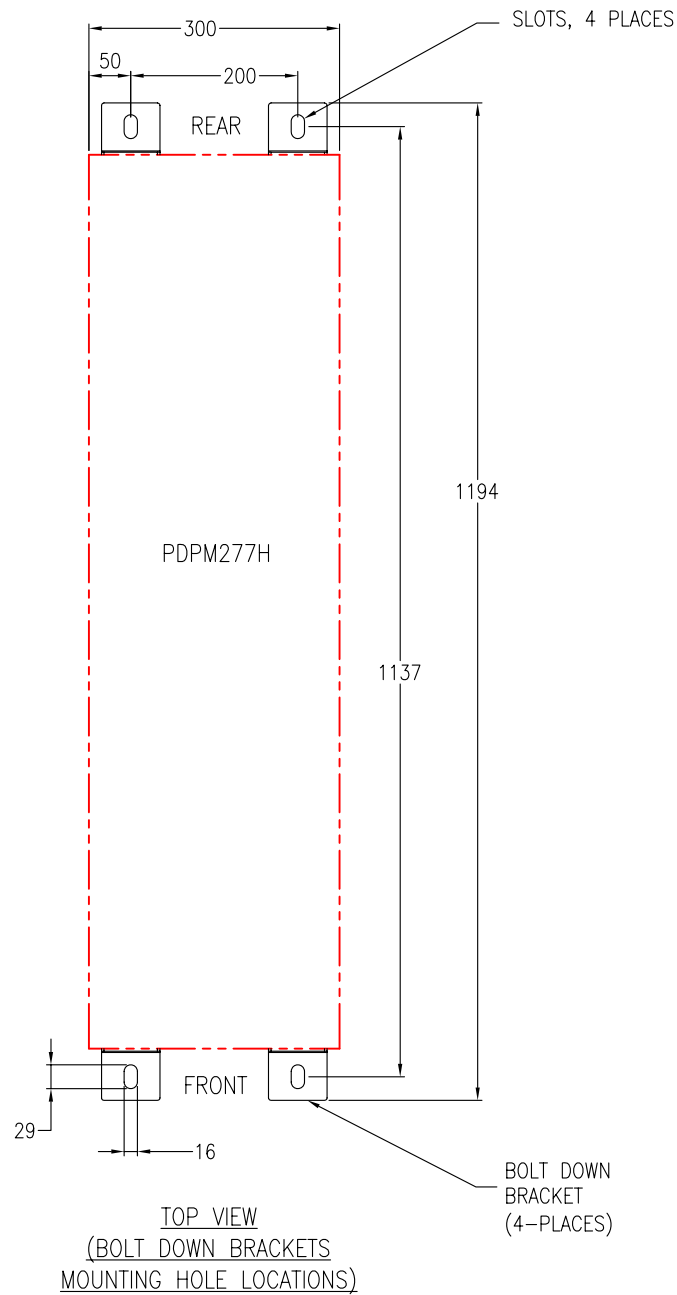
DRAWN: BALAMURUGAN 13-AUG-08

ENGINEER: S.LEE 29-AUG-08

APPROVED: CLARSEN/S.WACH 29-AUG-08

REV. 1

ANGLE OF PROJECTION
N.A.



NOTES:

1. INSTALLATION MUST COMPLY WITH NATIONAL AND LOCAL ELECTRICAL REGULATIONS.
2. TO STABILIZE THE ENCLOSURE (IF IT IS NOT JOINED WITH ANOTHER COMPONENT) USE THE INCLUDED AR7701 BOLT-DOWN KIT. ATTACH THE BRACKETS TO THE UNIT AS SHOWN. USE CODE COMPLIANT FASTENERS TO SECURE THE UNIT TO THE FLOOR.
3. PLEASE REFER TO APC PRODUCT MANUALS FOR DETAILS.

THIS DRAWING AND SPECIFICATIONS HEREIN ARE THE PROPERTY OF SCHNEIDER ELECTRIC AND SHALL NOT BE COPIED, REPRODUCED OR USED IN WHOLE OR IN PART, AS THE BASIS FOR THE MANUFACTURE OR SALE OF ITEMS WITHOUT WRITTEN PERMISSION FROM SCHNEIDER ELECTRIC. THIS DRAWING IS BASED UPON LATEST AVAILABLE INFORMATION AND IS SUBJECT TO CHANGE WITHOUT NOTICE.



TITLE:
ISX MODULAR DISTRIBUTION UNIT
Input: 400A, 3PH-400V
Output: 277kW, 400A, 400/230V 72 POLE
ANCHORING DETAILS

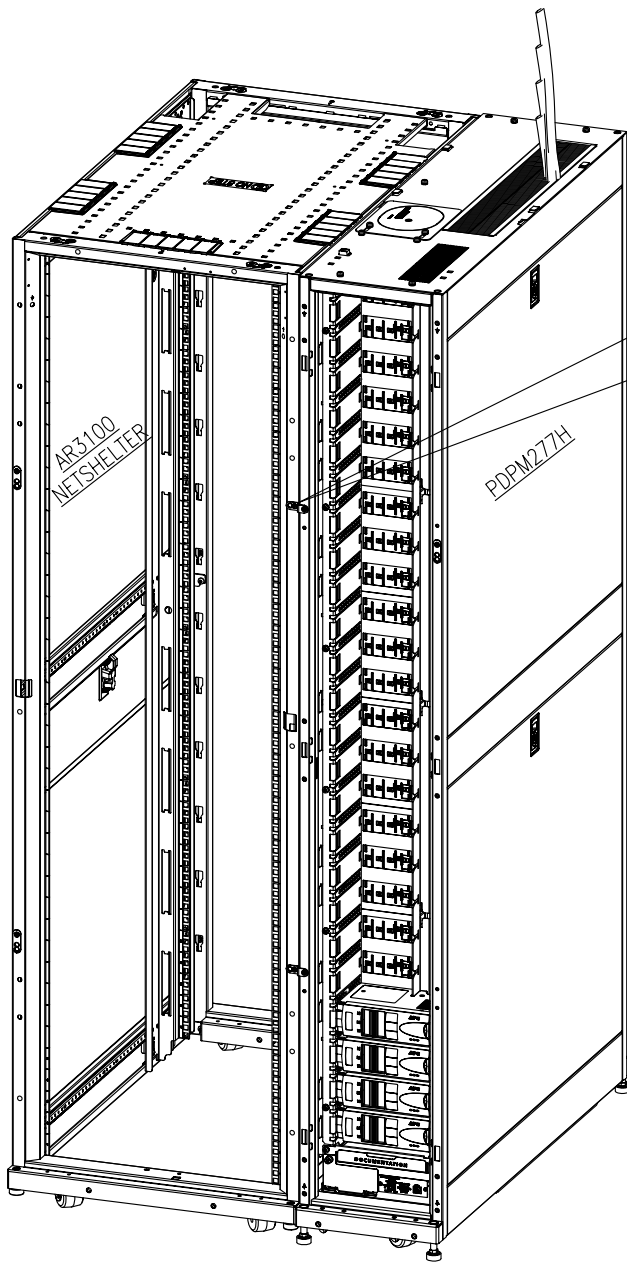
PROJECT: SUBMITTAL DRAWINGS SHEET 6 OF 7

DWG NO: PDPM277H-AN

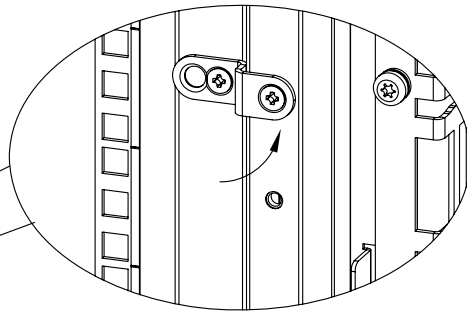
DRAWN: BALAMURUGAN	13-AUG-08
ENGINEER: SLEE	29-AUG-08
APPROVED: CLARSEN/S.WAGH	29-AUG-08

REV. 0

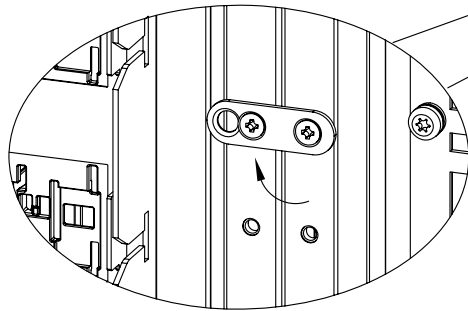
ANGLE OF PROJECTION
N.A.



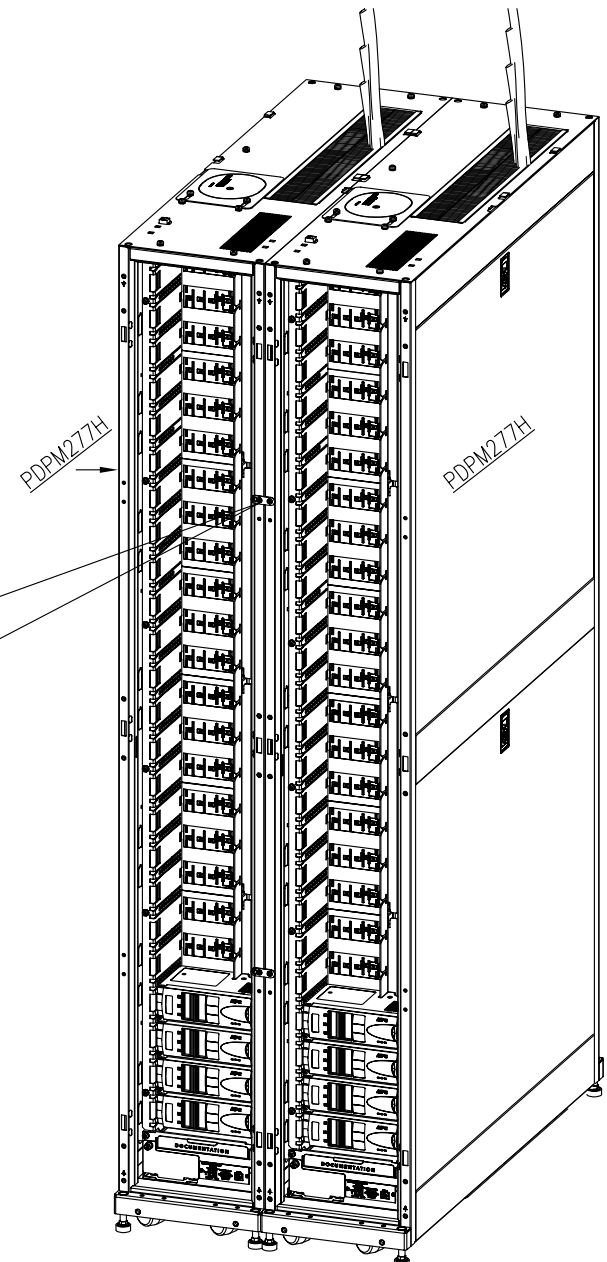
BAYING DIMETRIC VIEW
(WITH OFFSET BAYING BRACKET)



OFFSET BAYING BRACKET
(4 PLACES- 2 IN FRONT AND 2 IN REAR OF UNITS)



FLAT BAYING BRACKET
(4 PLACES- 2 IN FRONT AND 2 IN REAR OF UNITS)



BAYING DIMETRIC VIEW
(WITH FLAT BAYING BRACKET)

NOTES:

1. INSTALLATION MUST COMPLY WITH NATIONAL AND LOCAL ELECTRICAL REGULATIONS.
2. PLEASE REFER TO APC PRODUCT MANUALS FOR DETAILS.

THIS DRAWING AND SPECIFICATIONS HEREIN ARE THE PROPERTY OF SCHNEIDER ELECTRIC AND SHALL NOT BE COPIED, REPRODUCED OR USED IN WHOLE OR IN PART, AS THE BASIS FOR THE MANUFACTURE OR SALE OF ITEMS WITHOUT WRITTEN PERMISSION FROM SCHNEIDER ELECTRIC. THIS DRAWING IS BASED UPON LATEST AVAILABLE INFORMATION AND IS SUBJECT TO CHANGE WITHOUT NOTICE.



TITLE:
ISX MODULAR DISTRIBUTION UNIT
Input: 400A, 3PH-400V
Output: 277kW, 400A, 400/230V 72 POLE
BAYING DETAILS

PROJECT: SUBMITTAL DRAWINGS SHEET 7 OF 7

DWG NO: PDPM277H-BA

DRAWN:	BALAMURUGAN	13-AUG-08
ENGINEER:	S.LEE	29-AUG-08
APPROVED:	C.LARSEN/S.WAGH	29-AUG-08

REV: 0
ANGLE OF PROJECTION: N.A