



OFFICE SOLUTIONS

MONITOR-STANDS & GAS LIFT ARMS

... to optimize your workflow

HAGOR[®]
Products GmbH

MONITOR-STANDS & GAS LIFT ARMS

AT *Hagor we know you are not always sitting in the same position whilst at work, so why should your screen stay in the same place? Our series Gas Lift Arm's is the ultimate desk or wall mount companion to add flexibility and ingenious ergonomics to your LCD monitor. Designed to provide outstanding performance, with a sleek and streamlined outlook, it frees up space and allows to easily position your display for greater productivity. It is ideal for office and home use, especially in situations where several people use the same display or where a user can be both standing up and sitting down. So let your fingertips lift, swing, tilt and rotate your LCD display.*

... to optimize your workflow



OFFICE SOLUTIONS

HAGOR[®]
Products GmbH

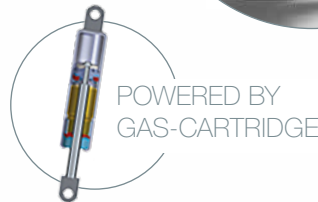
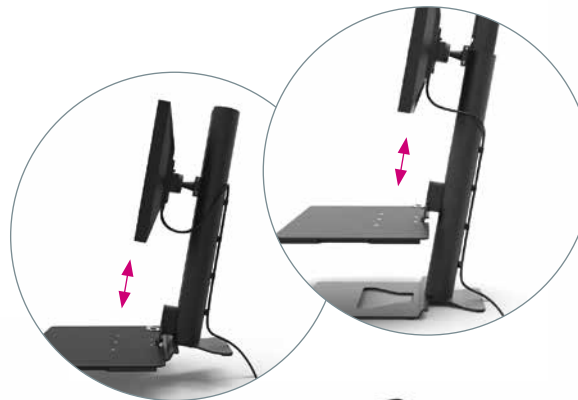
MONITOR-WORKSTATION SIT & STAND

Don't let your **BACK** do the job.

Convert your table into a healthy sit & stand desk.

MONITOR-WORKSTATION SIT & STAND

Our new height adjustable workstation is an extremely rugged solution allowing easy and trouble-free height adjustment of your workplace.



MONITOR-WORKSTATION SIT & STAND

Superior material choices, high end production quality and clean Nordic design. When in the seated position, the thin work-surface always stays close to your desktop. The all-aluminum composition is extremely sturdy, allowing for easy, handle-free height adjustment.

A true professional. Your set up will be truly professional, a small size footprint that doesn't consume space but adds in ergonomics. So why not let your co-workers enjoy a more healthy workstyle utilizing our Monitor-Workstation Sit & Stand.

SPECIFICATION

Pillar material: Aluminium – Technique: Gas cartridge (floating screen and keyboard tray) – pillar Min height 650mm/pillar Max. height 1100mm

ITEM NO.	COLOR*	ITEM DESCRIPTION	SPECIFICATIONS	SIZE	LOAD	VESA
7424		Monitor Workstation Sit & Stand	rotatable +/-90° - tilt angle +/- 25° - turn angle +/- 25°	10-27"	15 kg	75×75/100×100

*White and Silver on request

M VESA GAS LIFT ARM SERIES

A double jointed gas suspended monitor arm, designed to optimize your productivity and help reducing strain on neck, back and eyes.



M VESA GAS LIFT ARM SINGLE

The M VESA Gas Lift Arm is made out of a durable aluminum construction and uses a gas driven suspension technique. This makes the screen "float" and it can then be moved with near zero effort. Sleek and streamlined, the M VESA Gas Lift Arm Series frees up space and allows positioning of your display for greater productivity. Fingertip tilt provides smooth adjustment in any direction. Easy move the screen from landscape to portrait position or move the screen close to the desk, high up, matching almost any wanted working position imaginable.



M VESA GAS LIFT ARM DUAL

Supports VESA standards 75×75 and 100×100 and holds screens weighing from minimum 2 kg and up to maximum 10 kg. This interval is important to keep due to the gas driven piston that keeps your screen floating in the air.

Our M VESA Gaslift Arms utilize real gas lift cylinders. This German invented technology is used for a wide variety of industries and applications.

The gas cylinders make your screen float and moved around by your hand or even fingertip.



M VESA GAS LIFT ARM QUAD



Adjustable to the exact monitor weight up to 10 kg.



Quick-Release-Plate for easy and fast installation.

ACCESSORY

M VESA GAS LIFT ARM SERIES



M LAPTOP HOLDER



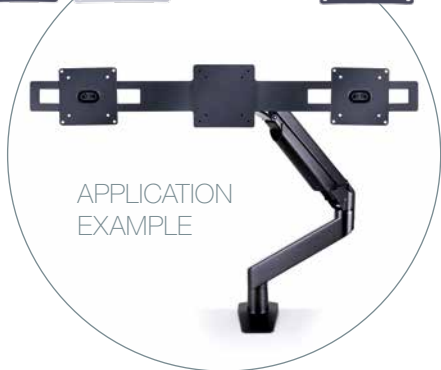
APPLICATION EXAMPLE



M WALL ADAPTER



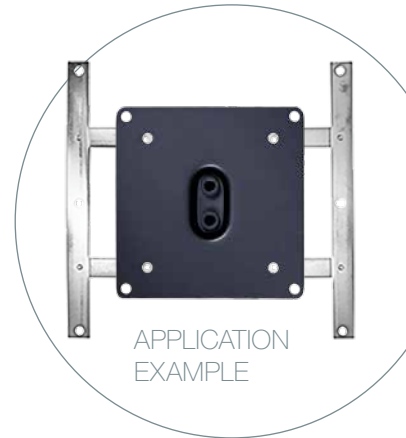
APPLICATION EXAMPLE



APPLICATION EXAMPLE

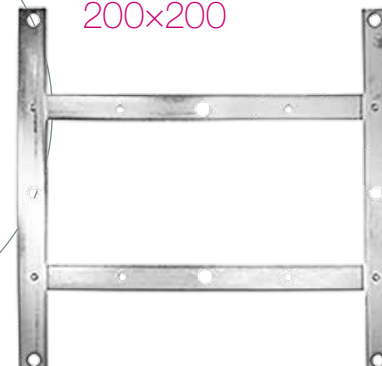
M DUO QUICK RELEASE PLATE

Allows double screens on your M VESA Gaslift Single.



APPLICATION EXAMPLE

M VESA ADAPTER 200x200



M VESA GAS LIFT ARM SERIES

SPECIFICATION

ITEM NO.	COLOR	ITEM DESCRIPTION	SPECIFICATIONS	SIZE	LOAD	VESA
7279		M VESA Gas Lift Arm Single	rotatable - tilt angle: -45 up to +75° - turn angle: +/- 90°	15-32"	2-10 kg	75×75/100×100
7273		M VESA Gas Lift Arm Single	rotatable - tilt angle: -45 up to +75° - turn angle: +/- 90°	15-32"	2-10 kg	75×75/100×100
7248		M VESA Gas Lift Arm Single	rotatable - tilt angle: -45 up to +75° - turn angle: +/- 90°	15-32"	2-10 kg	75×75/100×100
7280		M VESA Gas Lift Arm Dual	rotatable - tilt angle: -45 up to +75° - turn angle: +/- 90°	15-32" *	2 × 2-10 kg	75×75/100×100
7274		M VESA Gas Lift Arm Dual	rotatable - tilt angle: -45 up to +75° - turn angle: +/- 90°	15-32" *	2 × 2-10 kg	75×75/100×100
7249		M VESA Gas Lift Arm Dual	rotatable - tilt angle: -45 up to +75° - turn angle: +/- 90°	15-32" *	2 × 2-10 kg	75×75/100×100
7281		M VESA Gas Lift Arm Quad	rotatable - tilt angle: -45 up to +75° - turn angle: +/- 90°	15-32" *	4 × 2-10 kg	75×75/100×100
7275		M VESA Gas Lift Arm Quad	rotatable - tilt angle: -45 up to +75° - turn angle: +/- 90°	15-32" *	4 × 2-10 kg	75×75/100×100
7250		M VESA Gas Lift Arm Quad	rotatable - tilt angle: -45 up to +75° - turn angle: +/- 90°	15-32" *	4 × 2-10 kg	75×75/100×100
7284		M Laptop Holder	Laptop holder - suitable for M VESA Gas Lift Arm	-	7 kg	100×100
7283		M Laptop Holder	Laptop holder - suitable for M VESA Gas Lift Arm	-	7 kg	100×100
7282		M Laptop Holder	Laptop holder - suitable for M VESA Gas Lift Arm	-	7 kg	100×100
7403		M Wall Adapter	Wall adaptor suitable for M VESA Gas Lift Arm Single	-	-	-
7405		M Wall Adapter	Wall adaptor suitable for M VESA Gas Lift Arm Single	-	-	-
7404		M Wall Adapter	Wall adaptor suitable for M VESA Gas Lift Arm Single	-	-	-
7413		M Duo Quick Release Plate	Allows two screens on M VESA Gas Lift Single	2× 17-23"	2 × 1-4 kg	75×75/100×100
7414		M VESA Adapter 200×200	Allows to install monitors with VESA 200×100 & 200×200	-	-	200×100/200×200

*** Important regarding maximum screen size. Check prior to purchase.**

The Gas Lift Arm series is a very flexible product series and can handle many screen models. When using double or quad version in combination with very large screens of sizes 24", 27", 30" or even 32" it is important to double check the compatibility with the Gas Lift Arm before usage.

General restrictions:

- Max width of a screen is 750 mm
- Max height of a screen is 500 mm
- Max weight of a screen is 2-10 kg

Note 1:

Some larger screen series do have measurements and weight that exceed our recommendations. Such models are not recommended to be used with the Gas Lift Arm Series.

Note 2:

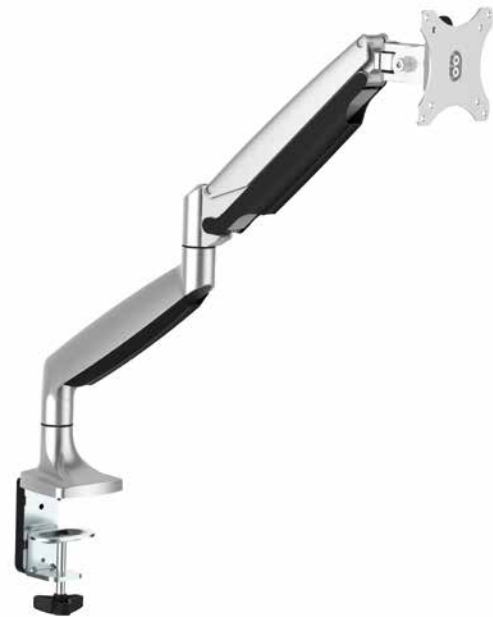
If combinations of different screen sizes are used with Dual or Quad Gas Lift Arm Series flexibility would be better.

Note 3:

If multiple larger screens are used, then the flexibility and movement between the screens are likely to decrease.

If you are uncertain, or need guidance to check that your screen fits the Gas Lift Arm Series, please do not hesitate to contact us.

This price efficient aluminum double-jointed lift arm fulfills highest ergonomic requirements and frees up space on your desk.



M EASY-FLEX SINGLE



M EASY-FLEX
DUAL

GROMMET AND DESK CLAMP
MOUNTING POSSIBLE



The EASY-FLEX series is constructed with elegant die casting aluminum and innovative counterbalance technology. It can efficiently free up space on your desk and easily move your LCD monitor into the best ergonomic position. Highly adjustable arms move up, down, forward and back with just a touch. With maximum weight capacity of 9 kg/19.8lbs, this desk mount features 180° monitor rotation, -90°~ +90° tilt, 180° swivel and vertical distance height adjustments. The desk arm is designed with cable management to provide neat desk space. Removable VESA panel makes installation more easily. The monitor mount is ideal for offices, homes, public area, industrial settings, production line and many more.

SPECIFICATION

ITEM NO.	COLOR	ITEM DESCRIPTION	SPECIFICATIONS	SIZE	LOAD	VESA
7415		M Easy-Flex Single	rotatable - tilt angle: +/- 90° - turn angle: +/- 90°	13-27"	1-9 kg	75×75/100×100
7416		M Easy-Flex Dual	rotatable - tilt angle: +/- 90° - turn angle: +/- 90°	13-27"	2 × 1-9 kg	75×75/100×100

M TABLE MOUNT SERIES · 15–27"

Manually fully adjustable desktop mounts for monitors 15–27". Available as free-standing version (FS) and as clamp fastening / bolt-down version (KB).



M TABLE MOUNT KB SINGLE



M TABLE MOUNT FS DUAL



M TABLE MOUNT KB SINGLE



M TABLE MOUNT KB DUAL



M TABLE MOUNT KB QUAD



M TABLE MOUNT FS SINGLE



M TABLE MOUNT FS DUAL



M TABLE MOUNT FS QUAD

SPECIFICATION

ITEM NO.	COLOR	ITEM DESCRIPTION	SPECIFICATIONS	SIZE	LOAD	VESA
7417		M Table Mount KB Single	rotatable - tilt angle: +/- 45° - turn angle: +/- 45°	13-27"	10 kg	75x75/100x100
7418		M Table Mount KB Dual	rotatable - tilt angle: +/- 45° - turn angle: +/- 45°	13-27"	2 x 10 kg	75x75/100x100
7419		M Table Mount KB Quad	rotatable - tilt angle: +/- 45° - turn angle: +/- 45°	13-27"	4 x 8 kg	75x75/100x100
7420		M Table Mount FS Single	free-standing - rotatable - tilt angle: +/- 45° - turn angle: +/- 45°	13-27"	10 kg	75x75/100x100
7421		M Table Mount FS Dual	free-standing - rotatable - tilt angle: +/- 45° - turn angle: +/- 45°	13-27"	2 x 10 kg	75x75/100x100
7422		M Table Mount FS Quad	free-standing - rotatable - tilt angle: +/- 45° - turn angle: +/- 45°	13-27"	4 x 8 kg	75x75/100x100

M VESA TRIPLE ARM SERIES · 15–24"

*Manually fully adjustable desktop mounts for up to 6 monitors 15–24".
Curved structure for optimal viewing angle.
Available as free-standing version.*



M VESA TRIPLE ARM STAND MEDIUM

Basic stand for 3 monitor structure.



M VESA TRIPLE ARM STAND MEDIUM EXPANSION KIT

Expansion kit for 6 monitor structure.



SPECIFICATION

ITEM NO.	COLOR	ITEM DESCRIPTION	SPECIFICATIONS	SIZE	LOAD	VESA
7187		M Vesa Triple Arm Stand Medium	free-standing - suitable for curved 3x1 array - tilt angle: +/- 20° - yaw: +/- 10°	15-27"	3 × 8 kg	75x75/100x100
7188		M Vesa Triple Arm Stand Medium - Expansion Kit	rotatable - suitable for curved 3x1 array - tilt angle: +/- 20° - yaw: +/- 10°	15-27"	3 × 8 kg	75x75/100x100

M VESA DESK STAND SERIES · 24–32"

*Manually fully adjustable desktop mounts for XL monitors 24–32".
Curved structure for optimal viewing angle. Available as free-standing version.*



M VESA DESK STAND SINGLE



M VESA DESK STAND SINGLE



M VESA DESK STAND DUAL



M VESA TRIPLE ARM STAND LARGE



M VESA DESK STAND SINGLE EXPANSION KIT



M VESA DESK STAND DUAL EXPANSION KIT



M VESA TRIPLE ARM STAND LARGE EXPANSION KIT

SPECIFICATION

ITEM NO.	COLOR	ITEM DESCRIPTION	SPECIFICATIONS	SIZE	LOAD	VESA
7295		M Vesa Desk Stand Single	free-standing - rotatable - tilt angle: +/- 20° - turn angle: +/- 90°	24-32"	15 kg	75×75/100×100/200×100
7296		M Vesa Desk Stand Single - Expansion Kit	rotatable - tilt angle: +/- 20° - turn angle: +/- 90°	24-32"	15 kg	75×75/100×100/200×100
7356		M Vesa Desk Stand Dual	free-standing - suitable for curved 2×1 array - tilt angle: +/- 20° - yaw: +/- 10°	24-32"	2 × 15 kg	75×75/100×100/200×100
7357		M Vesa Desk Stand Dual - Expansion Kit	rotatable - suitable to create 2×2 array - tilt angle: +/- 20° - yaw: +/- 10°	24-32"	2 × 15 kg	75×75/100×100/200×100
7353		M Vesa Triple Arm Stand Large	free-standing - suitable for curved 3×1 array - tilt angle: +/- 20° - yaw: +/- 10°	24-32"	3 × 15 kg	75×75/100×100/200×100
7354		M Vesa Triple Arm Stand Large - Expansion Kit	rotatable - suitable to create 3×2 array - tilt angle: +/- 20° - yaw: +/- 10°	24-32"	3 × 15 kg	75×75/100×100/200×100

ACCESSORY

M VESA DESK STAND SERIES · 24–32"



M DESK CLAMP HD
Alternative clamp fastening.



APPLICATION EXAMPLE



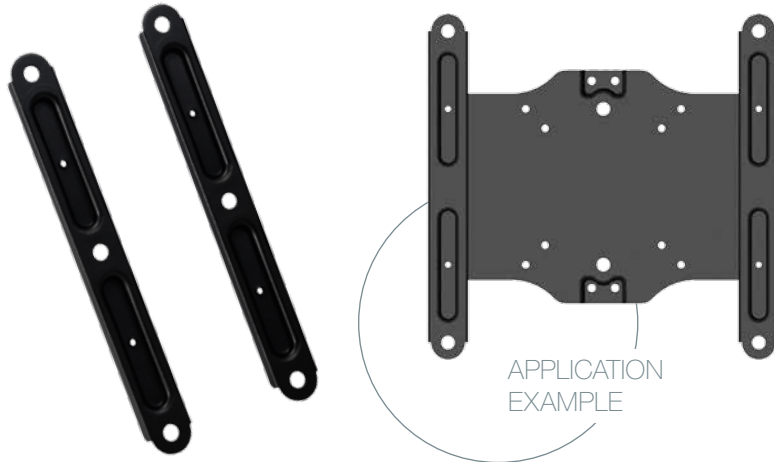
M GROMMET BASE
Alternative bolt-down instead of free-standing.



APPLICATION EXAMPLE

M DESKTOP-MOUNT VESA ADAPTER 200x200

Extender kit for monitors with VESA 200x200.



APPLICATION EXAMPLE

SPECIFICATION

ITEM NO.	COLOR	ITEM DESCRIPTION	SPECIFICATIONS
7189		M Desk Clamp HD	alternative clamp fastening instead of free-standing
7292		M Grommet Base	alternative grommet mounting instead of free-standing
7423		M Desktopmount VESA Adapter 200x200	adapts to VESA 200x200 mm





The manufacturer for
presentation equipment

- FLAT PANEL STANDS
- INDOOR TOTEMS
- PROTECTIVE ENCLOSURES AND TOTEMS FOR OUTDOOR USE
- VIDEO WALL-SYSTEMS
- FLAT PANEL WALL MOUNTS
- SPECIAL MOUNTS
- FLAT PANEL CEILING MOUNTS
- TABLE MOUNTS
- TABLET ENCLOSURES
- MONITOR ARMS
- PROJECTOR MOUNTS
- PROJECTION SCREENS
- SPEAKER MOUNTS
- CABLE MANAGEMENT
- HOME CINEMA CABLE

HAGOR Products GmbH

Oberbecksener Straße 97 | D-32547 Bad Oeynhausen
Tel.: +49(0)57 31-7 55 07-0 | Fax: +49(0)57 31-7 55 07-60
Mail: hagor@hagor.de | www.hagor.net

