

STRIX Sound Card Series

Strix Raid DLX
 Strix Raid PRO
 Strix Soar

Quick Start Guide

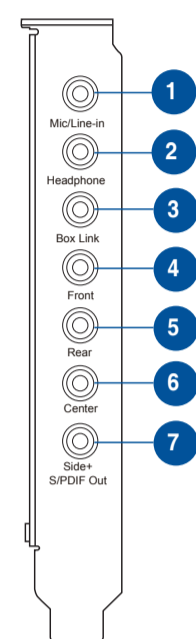
System Requirements

To ensure a successful installation of the ASUS Strix sound card series, your computer must meet the following requirements:

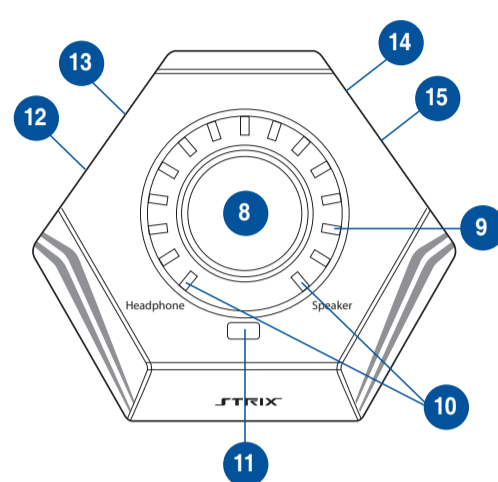
- One PCI Express 1.0 (or higher) compatible slot for the audio card
- One available 6-pin peripheral power cable connector from PC's power supply unit
- Microsoft® Windows® 8.1/8/7/(32/64bit)
- Intel® Pentium®4 1.4GHz or AMD Athlon 1400 CPU or faster CPU
- >256 MB DRAM system memory
- >60 MB available HDD space for driver installation package
- CD-ROM drive (or DVD-ROM drive) for software installation
- High-quality headphones, powered analog speakers, to enjoy the ultra-high fidelity sounds.

Hardware Features

Audio card



Control Box



- 1. Microphone In port**
Connect your external PC microphone to this 3.5mm port for voice input. Built-in high-quality Microphone pre-amplifier.
- Line In port**
Connect analog devices like MP3 players, CD players, music synthesizers, and other line-level sound sources to this 3.5mm port for audio recording or processing.
- Headphone Out port**
Connect your headphone to this port.
- Box link**
Connect Strix control box directly to this port
- Front Out port**
For 2 channel speaker systems, connects to the input on the powered speakers.
- Rear Out port**
Connect to the rear surround input on 4 powered analog speakers.
- Center Out port**
Connects to the center/subwoofer input on 4/5.1 powered analog speakers.
- Side Out port**
Connects to the side surround input on 7.1 powered analog speakers.
- S/PDIF Out port**
Optical digital output jack. Connects to external digital decoder or digital speaker systems, Home Theater systems, AV receivers for outputting digital audio including PCM, Dolby Digital, DTS, WMA-Pro, etc. Connect to the surround channel input on 4/5.1/7.1 powered analog speakers
- Output Select / Volume Control**

Output Select / Volume Control	Description
Tab	Tab to select output source between headphone and speaker.
Long Press	Long press to set selected output source to mute.
Turn	Turn knob clockwise or anti-clockwise to adjust volume level.
[Custom Mode]: Tab	CUSTOM MODE (In conjunction with STRIX RAID MODE) Tab knob to turn on/off a selected effect. Note: This control knob is used in conjunction with the Strix RAID key. When Strix RAID Mode is selected, this goes into a custom mode.
[Custom Mode]: Turn	CUSTOM MODE (In conjunction with STRIX RAID MODE) Turn knob clockwise or anti-clockwise to adjust intensity level of a selected effect.

- 9. LED Indicators**
LED indicator that displays intensity level of volume or effects.
 - 10. Output Source LED Indicator**
LED indicator that displays selected output device.
Note: When the device is under mute, the LED turns red.
 - 11. STRIX RAID Mode**
- | | |
|-----------------|---|
| STRIX RAID Mode | This is a programmable key that can customize and lock a special effect from the Sonic Studio so that you can control and adjust effects spontaneously in game.
Press on/off to enter/exit Custom Mode. The LED turns Orange to indicate the Custom Mode.
To set up this key, please go to the Sonic Studio and select desired effect to lock to the Strix RAID Mode.
Now you can use the turn knob to turn on/off effects, as well as adjust the intensity level of the effect. |
|-----------------|---|
- 12. Headphone Output Port**
Connect your headphones to this port.
 - 13. Microphone Input Port**
Connect your external PC microphone to this 3.5mm jack for voice input.
 - 14. Kensington® Security Slot**
Insert Kensington lock to lock the device.
 - 15. Box link**
Connect Strix control box directly to this port

Hardware Features

繁體中文

- 麥克風輸入連接埠
Line In 連接埠
- 耳機輸出連接埠
- Box link
- 前置輸出連接埠
- 後置輸出連接埠
- 中心輸出連接埠
- 側邊輸出連接埠
S/PDIF 輸出連接埠
- 輸出選擇 / 音量調節
- LED 指示燈
- 輸出源 LED 指示燈
- STRIX RAID Mode
- 耳機輸出連接埠
- 麥克風輸入連接埠
- Kensington® 安全插槽
- Box link

Italiano

- Porta ingresso microfono
Porta line in
- Porta uscita cuffie
- Collegamento Box
- Uscita altoparlanti anteriori
- Uscita altoparlanti posteriori
- Uscita altoparlante centrale
- Uscita altoparlanti laterali
Porta uscita S/PDIF
- Selezione uscita/Controllo volume
- Indicatori LED
- Indicatore LED sorgente uscita
- Modalità STRIX RAID
- Porta uscita cuffie
- Porta ingresso microfono
- Foro di sicurezza Kensington®
- Collegamento Box

آي بي آر سي

1. منفذ إدخال الميكروفون
2. منفذ إدخال الخط
3. منفذ خرج سماعة الرأس
4. رابط العتبة
5. منفذ الخرج الأمامي
6. منفذ الخرج الخلفي
7. منفذ الخرج الأوسط
8. منفذ الخرج الجانبي
9. منفذ خرج S/PDIF
10. اختيار الخرج للتحكم في مستوى الصوت
11. مؤشرات بيان LED
12. مؤشر الخرج
13. وضع STRIX RAID
14. منفذ خرج سماعات الرأس
15. منفذ إدخال الميكروفون
16. رابط العتبة

Dansk

- Mikrofonstik
linje-indgang
- Hovedtelefonstik
- Boks-link
- Forreste udgangsport
- Bageste udgangsport
- Midterste udgangsport
- Side-udgangsport
S/PDIF-udgangsport
- Vælg udgangsport /Lydstyrkejustering
- LED-indikatorer
- LED-indikator til udgangskilde
- STRIX RAID
- Hovedtelefonstik
- Mikrofonstik
- Stik til Kensington® lås
- Boks-link

Magyar

- Mikrofonbemeneti port
vonalbemeneti port
- Fejhallgató-kimeneti port
- Box link
- Elülső kimeneti port
- Hátsó kimeneti port
- Középső kimeneti port
- Oldalsó kimeneti port
S/PDIF-kimeneti port
- Kimenetválasztás/Hangerő-szabályozó
- LED jelzőfények
- Kimeneti forrás LED jelzőfénye
- STRIX RAID mód
- Fejhallgató kimeneti port
- Mikrofon bemeneti port
- Kensington® biztonsági nyílás
- Box link

简体中文

- 麦克风输入接口
Line In 接口
- 耳机输出接口
- Box link
- 前置输出接口
- 后置输出接口
- 中心输出接口
- 侧边输出接口
S/PDIF 输出接口
- 输出选择 / 音量调节
- LED 指示灯
- 输出源 LED 指示灯
- STRIX RAID Mode
- 耳机输出接口
- 麦克风输入接口
- Kensington® 安全插槽
- Box link

日本語

- マイク入力ポート
ライン入力ポート
- ヘッドホン出力ポート
- Box link
- フロント出力ポート
- リア出力ポート
- センター出力ポート
- サイド出力ポート
S/PDIF 出力ポート
- 出力切替 / 音量調整
- 音量 / エフェクトレベルインジケータ
- 出力インジケータ
- STRIX RAID モードボタン
- ヘッドホン出力ポート
- マイク入力ポート
- Kensington® セキュリティスロット
- Box link

Български

- Вход за микрофон
Line In порт
- Изход за слушалки
- Свързване с контролен блок
- Преден изход
- Заден изход
- Централен изход
- Страничен изход
S/PDIF изход
- Избор на изходен сигнал/управление на силата на звука
- LED индикатори
- LED индикатор на източник на изходен сигнал
- Режим STRIX RAID
- Изход за слушалки
- Вход за микрофон
- Kensington® заключване
- Свързване с контролен блок

Nederlands

- Microfooningang
lijningang
- Hoofdtelefoonuitgang
- Doosverbinding
- Uitgang vooraan
- Uitgang achteraan
- Uitgang midden
- Uitgang zijkant
S/PDIF-uitgang
- Uitgangselectie/volumeregeling
- LED-indicators
- LED-indicator uitgangsbron
- STRIX RAID-modus
- Hoofdtelefoonuitgang
- Microfoonuitgang
- Kensington®-beveiligingsleuf
- Doosverbinding

Bahasa Indonesia

- Port Masuk Mikrofon
Port Masuk Saluran
- Port keluar headphone
- Link kotak
- Port keluar depan
- Port Belakang Keluar
- Port Output Tengah
- Port Output Samping
S/PDIF Out header
- Pilihan Output/Kontrol Volume
- Indikator LED
- Indikator LED Sumber Output
- Mode STRIX RAID
- Port Output Headphone
- Port Input Mikrofon
- Slot Keamanan Kensington®
- Link kotak

Français

- Prise microphone
Prise d'entrée audio
- Prise casque
- Prise de connexion au boîtier de contrôle
- Prise de sortie haut-parleur avant
- Prise de sortie haut-parleur arrière
- Prise de sortie haut-parleur central
- Prise de sortie haut-parleur latéral
Prise de sortie S/PDIF
- Sélection de sortie / Contrôle du volume
- Témoins lumineux
- Témoin lumineux indiquant la source de sortie
- Mode STRIX RAID
- Prise casque
- Prise microphone
- Fente de sécurité Kensington®
- Prise de connexion à la carte son

한국어

- 마이크 입력 포트
Line 입력 포트
- 헤드폰 출력 포트
- 박스 링크
- 전방 출력 포트
- 후면 출력 포트
- 중앙 출력 포트
- 측면 출력 포트
S/PDIF 출력 / 측면 출력 포트
- 출력 선택 / 볼륨 조절
- LED 표시 등
- 출력 소스 LED 표시 등
- STRIX RAID 모드 버튼
- 헤드폰 출력 포트
- 마이크 입력 포트
- Kensington® 보안 슬롯
- 박스 링크

Hrvatski

- Ulazni priključak za mikrofon
Linijski ulazni
- Izlazni priključak slušalice
- Veza za kutiju
- Priključak prednjeg izlaza
- Stranji izlazni priključak
- Priključak izlaza za srednji zvučnik
- Priključak bočnog izlaza
S/PDIF izlazni/bočni priključak
- Odabir izlaza/regulator glasnoće
- LED Indikatori
- LED indikator izvora izlaza
- STRIX RAID način rada
- Izlazni priključak za slušalice
- Ulazni priključak za mikrofonu
- Sigurnosni utor Kensington®
- Veza za kutiju

Suomi

- Mikrofonin tuloportti
Linja sisään -portti
- Kuulokemikrofonin lähtöportti
- Rasialinkki
- Etu -lähtöportti
- Tasavirtälähtöportti
- Keskilähtöportti
- Sivulähtöportti
S/PDIF-lähtöportti
- Lähtövalinta / Äänenvoimakkuuden säätö
- LED-merkkivalot
- Lähtövalinta LED-merkkivalo
- STRIX RAID -tila
- Kuulokelähtöportti
- Mikrofonituloportti
- Kensington®-turvalluskoppaikka
- Rasialinkki

Norsk

- Mikrofon Inn port
Linje Inn-port
- Hodetelefon Ut-port
- Boks-kobling
- Front Ut-port
- Bakre Ut-port
- Midt-utgangsport
- Side-utgangsport
S/PDIF Ut-port
- Utgangvalg/Volumkontroll
- LED-indikatorer
- LED-indikator for utgangskilde
- STRIX RAID-modus
- Hodetelefon-utgang
- Mikrofon-inngang
- Spor for Kensington®-lås
- Boks-kobling

Deutsch

- Mikrofoneingang
Line In-Port
- Kopfhörerausgang
- Boxverbindung
- Frontausgang
- Rück-Surround-Ausgang
- Mittlerer Ausgang
- Seitlicher Ausgang
S/PDIF-/Seiten-Ausgang
- Ausgangsauswahl/Lautstärkeregelung
- LED-Indikatoren
- Ausgangsquelle-LED-Indikator
- STRIX-RAID-Modus
- Kopfhörerausgang
- Mikrofoneingang
- Kensington®-Sicherheitssteckplatz
- Boxverbindung

Русский

- Разъем для микрофона
Аудиовход
- Разъем для наушников
- Кабель для пульта
- Выход фронтального канала
- Выход тылового канала
- Выход центрального канала
- Выход бокового канала
S/PDIF-выход
- Выбор выхода / Регулировка громкости
- Индикаторы
- Индикатор выбранного выхода
- Режим STRIX RAID
- Разъем для наушников
- Разъем для подключения микрофона
- Порт для замка Kensington
- Кабель для пульта

Čeština

- Vstupní port mikrofonu
linkový vstup
- Výstupní port pro připojení sluchátek
- Připojení ovladače
- Přední výstupní port
- Zadní výstupní port
- Port středového výstupu
- Port postranního výstupu
Výstupní port S/PDIF
- Výběr výstupu /ovládání hlasitosti
- Indikátory LED
- Indikátor LED výstupního zařízení
- Režim STRIX RAID
- Port výstupu sluchátek
- Port vstupu mikrofonu
- Bezpečnostní slot Kensington®
- Připojení ovladače

Ελληνικά

- Θύρα εισόδου μικροφώνου
Θύρα εισόδου
- Θύρα εξόδου ακουστικών
- Σύνδεση Box
- Μπροστινή θύρα εξόδου
- Πίσω θύρα εξόδου
- Θύρα κεντρικής εξόδου
- Θύρα πλευρικής εξόδου
Θύρα εξόδου S/PDIF
- Επιλογή εξόδου/Ρύθμιση έντασης
- Ενδεικτικές λαμπιές LED
- Λαμπιές ένδειξης LED πηγής εξόδου
- Λειτουργία STRIX RAID
- Θύρα εξόδου ακουστικών
- Θύρα εισόδου μικροφώνου
- Υποδοχή κλειδαριάς ασφαλείας Kensington®
- Σύνδεση Box

Polski

- Wejściowy port mikrofonu
wejściowy port liniowy
- Wyjściowy port słuchawkowy
- Łączce Box
- Port wyjściowy głośnika przedniego
- Port wyjściowy głośnika tylnego
- Centralne gniazdo wyjścia
- Boczne gniazdo wyjścia
Port wyjściowy S/PDIF
- Wybór wyjścia/Regulacja głośności
- Wskaźniki LED
- Wskaźnik LED źródła wyjścia
- Tryb STRIX RAID
- Hodetelefon-utgang
- Gniazdo wejścia mikrofonu
- Gniazdo zabezpieczenia Kensington®
- Łączce Box

Safety Information

1. Read these instructions.
2. Keep these instructions.
3. Heed all warnings.
4. Follow all instructions.
5. Do not use this apparatus near water.
6. Clean machine surface with a cloth (Do not apply any detergent or cleaning fluid).
7. Do not block any ventilation openings. Install in accordance with the manufacturer's instructions.
8. Do not install near any heat sources such as radiators, heat registers, stoves or other apparatus (including amplifiers) that produce heat.
9. The polarized or grounding type plug is for user safety. A polarized plug has two blades with one wider than the other. A grounding -type plug has two blades and a third grounding prong. The wide blade or the third prong is provided for your safety. If the provided plug does not fit into your outlet, consult your electrician for installation of the appropriate type of power socket.
10. Protect the power cord from being stepped on or compressed, particularly at the point where the cable is connected to the device.
11. Only use attachments/accessories specified by the manufacturer.
12. Use with only the cart, stand, tripod, bracket or table recommended by the manufacturer, or sold with the product. When a cart is used, use caution when moving the cart or trolley to avoid injury.
13. Unplug the device during lightning storms or when left unused for long periods of time.
14. Refer all repairs to qualified service personnel. Servicing is required when the product has been damaged in any way such as when the power cord or plug is damaged, liquid has been spilled or an object has fallen into the product, the product has been exposed to rain or moisture or does not operate normally or has been dropped.



Additional Safety Information

For your own safety please read the following important instructions carefully before attempting to connect this unit to the main power supply. The instructions provided will help you get the best performance from this device and prolong the life of this product.

Repairs

Do not attempt to repair or disassemble this product. Consult a qualified technician or professional for service or repairs.

Package Contents

This package should contain the following:

- STRIX sound card series 7.1-Channel sound card
- Driver CD
- S/PDIF TOSLINK optical adapter x 1
- Quick Start Guide
- Box link cable (Strix Raid DLX/Strix Raid Pro only)
- Strix control box (Strix Raid DLX/Strix Raid Pro only)

Hardware Features

Português

1. Porta de entrada de microfone
2. Porta de entrada de linha
3. Ligação da caixa
4. Porta de saída frontal
5. Porta de saída traseira
6. Porta de saída central
7. Porta de saída lateral
8. Seleção de saída/controlo de volume
9. Indicadores LED
10. Indicador LED de fonte de saída
11. Modo STRIX RAID
12. Porta de saída para auscultadores
13. Porta de entrada de microfone
14. Ranhura de segurança Kensington®
15. Ligação da caixa

Español

1. Puerto Entrada de micrófono
2. Puerto Entrada de línea
3. Conexión con la caja
4. Puerto para Salida Frontal
5. Puerto Salida posterior
6. Puerto de salida central
7. Puerto de salida lateral
8. Selección de salida/Control de volumen
9. Indicadores LED
10. Indicador LED de fuente de salida
11. Modo RAID STRIX
12. Puerto de salida de auriculares
13. Puerto de entrada de micrófono
14. Ranura de seguridad Kensington®
15. Conexión con la caja

Türkçe

1. Mikrofon Giriş portu
2. Kulaklık Çıkış portu
3. Kutu bağlantısı
4. Ön Çıkış portu
5. Arka Çıkış bağlantı noktası
6. Merkezi Çıkış bağlantı noktası
7. Yan Çıkış bağlantı noktası
8. Çıkış Seç/Ses Düzeyi Kontrolü
9. LED Göstergeler
10. Çıkış Kaynağı LED Göstergesi
11. STRIX RAID Modu
12. Kulaklık Çıkışı Bağlantı Noktası
13. Mikrofon Girişi Bağlantı Noktası
14. Kensington® Güvenlik Yuvası
15. Kutu bağlantısı

Slovenščina

1. Vhodna vrata za mikrofon line-in
2. Izhodna vrata za slušalke
3. Povezovanje enote
4. Sprednja izhodna vrata
5. Zadnja izhodna vrata
6. Osrednja izhodna vrata
7. Stranska izhodna vrata
8. Izbira izhoda/nadzor glasnosti
9. LED-indikatorji
10. LED-indikator izhodnega vira
11. Način STRIX RAID
12. Izhodna vrata za slušalke
13. Vhodna vrata za mikrofon
14. Varnostna reža Kensington®
15. Povezovanje enote

Svenska

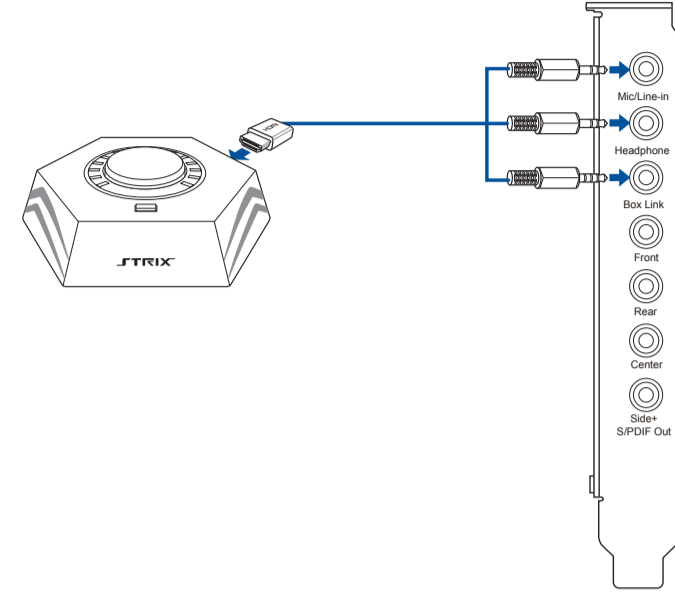
1. Mikrofoningång
2. Hörlursutgång
3. Boxlänk
4. Frontutgång
5. Bakre utgång
6. Central utgångsport
7. Sida utgångsport
8. Uteffektssval/Volymkontroll
9. LED-indikatorer
10. Utkälla LED-indikator
11. STRIX Raid-läge
12. Hörlurar utgångsport
13. Mikrofon ingångsport
14. Kensington® Säkerhetslucka
15. Boxlänk

Українська

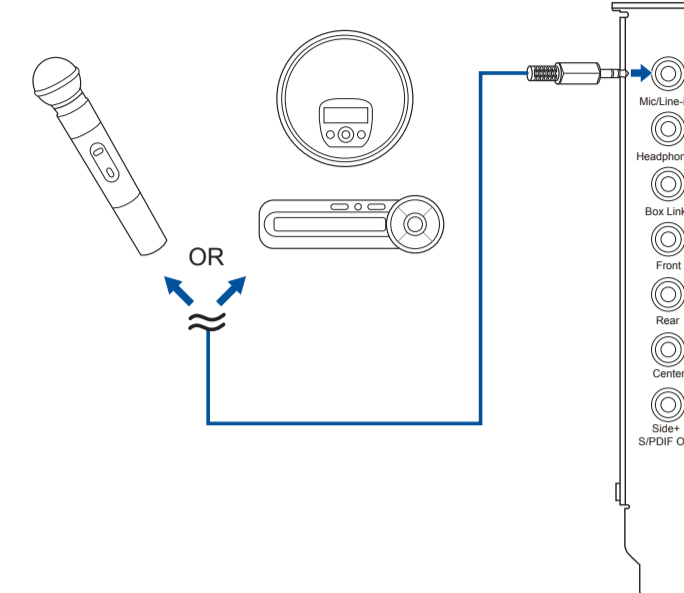
1. Порт входу мікрофону
2. Порт входу лінії
3. Текстове поле
4. Передній порт виходу
5. Задній порт виходу
6. Вихід центрального порту
7. Вихід бічного порту
8. Вибір виходу/Контроль гучності
9. Світлодіодні індикатори
10. Світлодіодний індикатор джерела виходу
11. Режим STRIX RAID
12. Порт виходу навушників
13. Порт входу мікрофону
14. Отвір пристроїв безпеки Kensington®
15. Текстове поле

Connectivity Options

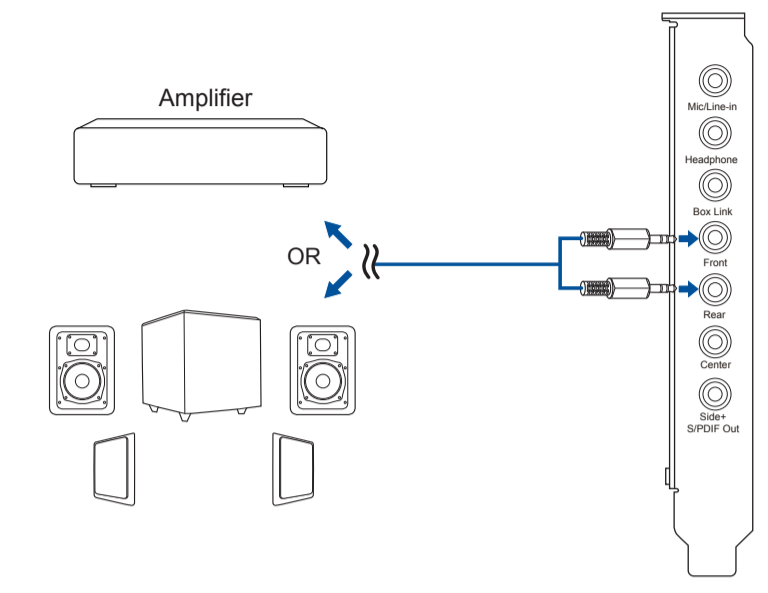
Connecting Strix Control Box (Strix Raid DLX/PRO only)



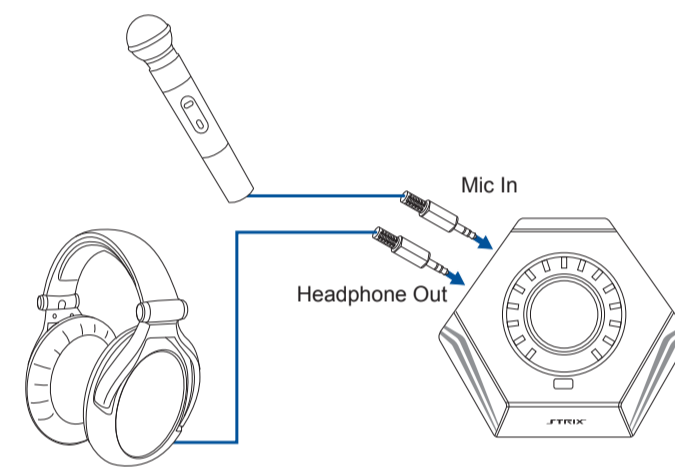
Connecting Microphone/ Line In



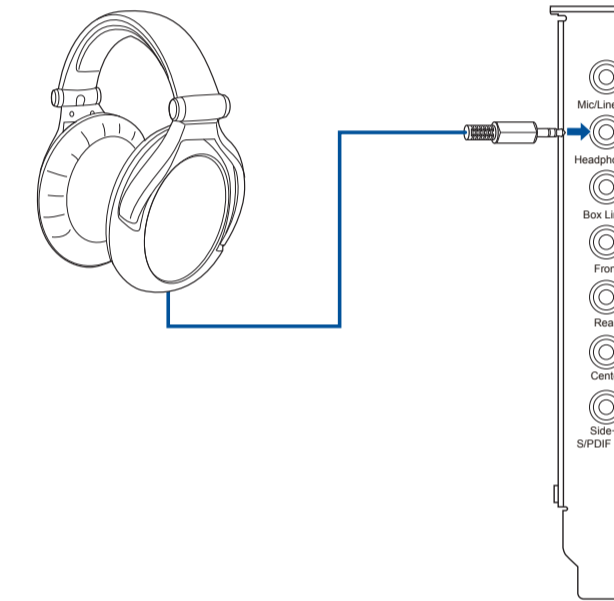
Connecting 4 Channel Speakers / Power Amplifier



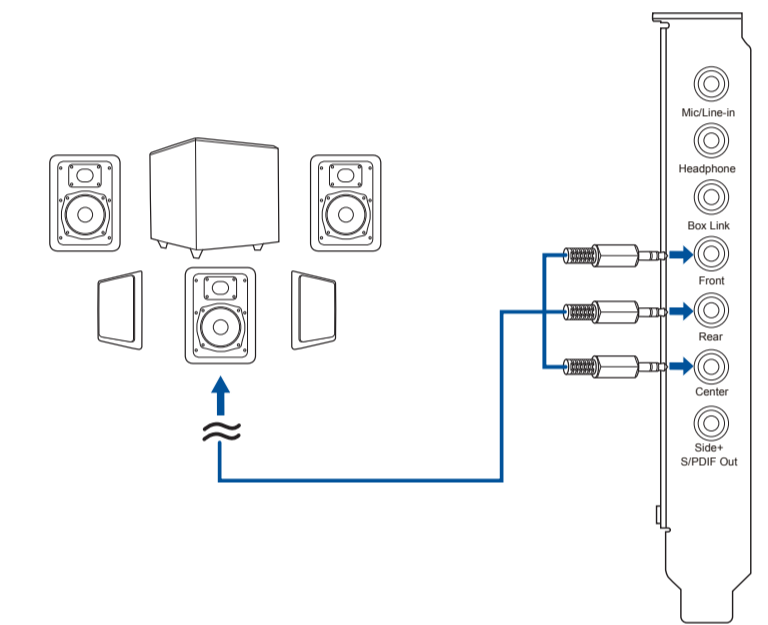
Connecting Strix Control Box with external microphone and headphone (Strix Raid DLX/PRO only)



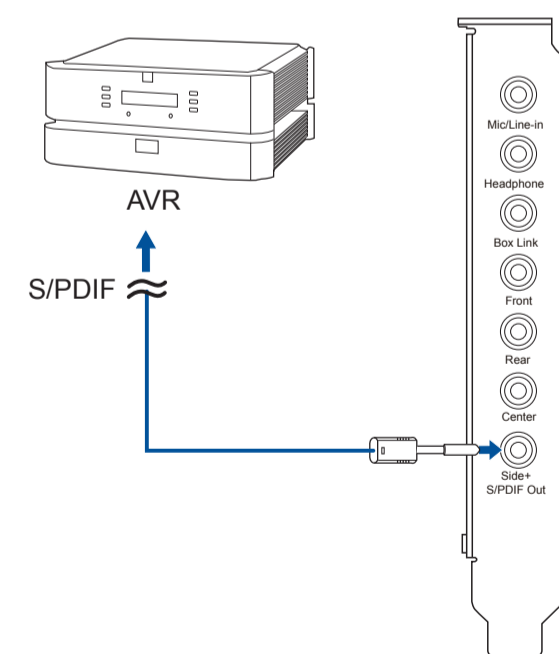
Connecting Stereo Headphones



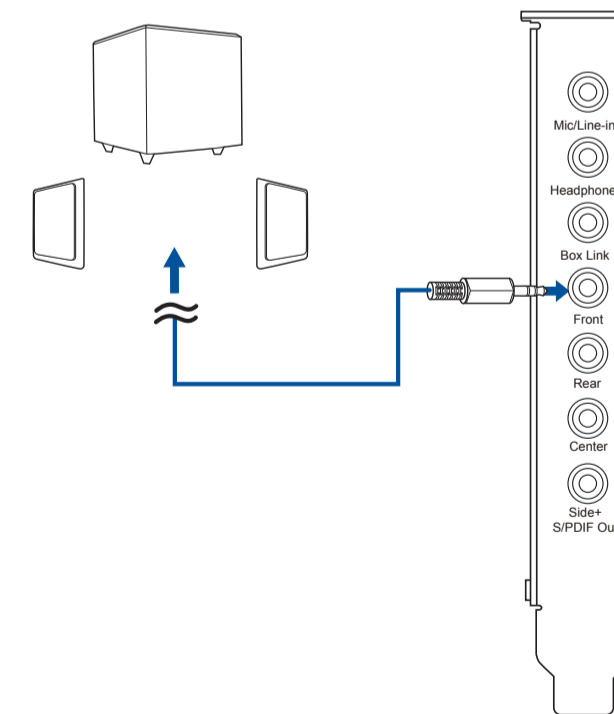
Connecting 5.1 Channel Speakers/ 5.1 Channel Headphone



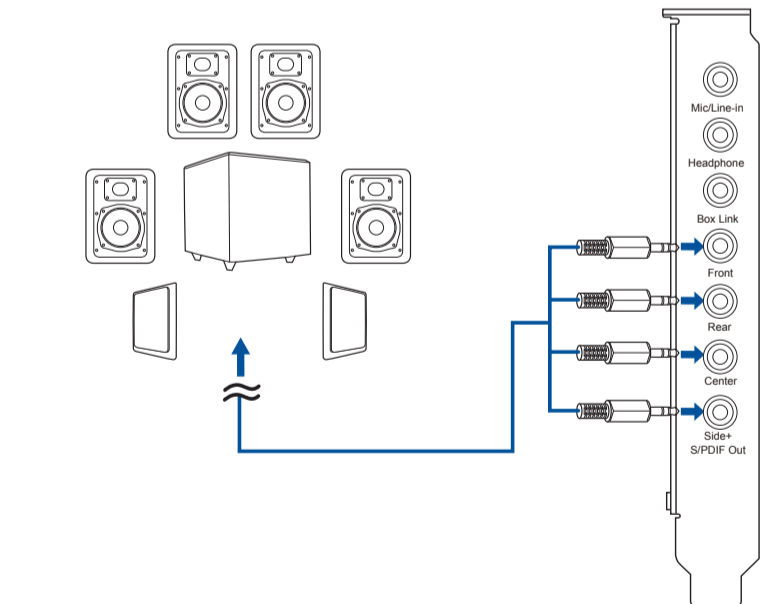
Connecting to TOSLINK and COAXIAL SPDIF input connection



Connecting 2 channel speakers



Connecting 7.1 Channel Speakers



AEEE Yönetmeliğine Uygundur



CAN ICE-3 (B)/NMB-3 (B)



ASUS WARRANTY UPDATE

From 1 January 2012 updated warranties apply to all ASUS products, consistent with the Australian Consumer Law. For the latest product warranty details please visit: <http://support.asus.com>

Our goods come with guarantees that cannot be excluded under the Australian Consumer Law. You are entitled to a replacement or refund for a major failure and compensation for any other reasonably foreseeable loss or damage. You are also entitled to have the goods repaired or replaced if the goods fail to be of acceptable quality and the failure does not amount to a major failure.

If you require assistance please call ASUS Customer Service 1300 2767 88 | <http://support.asus.com>